

EG4® WALLMOUNT 280Ah ALL WEATHER BATTERY

USER MANUAL



TABLE OF CONTENTS

1.	TECHNICAL SPECIFICATIONS	1
2.	ABBREVIATIONS	3
3.	BATTERY SAFETY	4
3.1	SAFETY INSTRUCTIONS.....	4
3.2	IMPORTANT SAFETY NOTIFICATIONS	4
4.	SÉCURITÉ DE LA BATTERIE.....	6
4.1	CONSIGNES DE SÉCURITÉ	6
4.2	NOTIFICATIONS DE SÉCURITÉ IMPORTANTES.....	6
5.	BRIEF INTRODUCTION.....	8
5.1	PRODUCT DESCRIPTION.....	8
6.	PACKING LIST	9
6.1	BATTERY DIAGRAM	10
7.	LOCATION SELECTION AND INSTALLATION.....	11
7.1	SPACING REQUIREMENTS	12
7.2	280AH ALL WEATHER CONDUIT BOX INSTALLATION.....	12
7.3	X-BRACKET OVERVIEW	15
7.4	INSTALLATION WITHOUT A CONDUIT BOX	16
7.5	INSTALLATION WITH A CONDUIT BOX	17
7.6	WITH EG4® 18KPV INVERTER	19
7.7	WITH EG4® 12KPV, FLEXBOSS18 & 21 INVERTER	23
8.	GENERAL INSTALLATION	26
8.1	BATTERY PARALLELING GUIDE	26
8.2	BATTERY CABLE CONNECTIONS	27
8.3	ADDITIONAL CONFIGURATIONS.....	28
9.	EMERGENCY STOP (RSD, ESS DISCONNECT).....	31
10.	BATTERY COMMUNICATIONS.....	32
10.1	DIP SWITCH ID TABLE	32
10.2	LCD SCREEN.....	33
10.3	COMMUNICATION PROTOCOL SELECTION.....	34
11.	OPERATION GUIDE.....	36
11.1	BATTERY STARTUP AND SHUTDOWN PROCEDURE	36
11.2	BMS TOOLS INSTALLATION AND INTERFACING	36
12.	BATTERY CHARGING	40
12.1	BATTERY PERFORMANCE CURVES	41
13.	TROUBLESHOOTING, MAINTENANCE & DISPOSAL.....	42
13.1	INTRODUCTION TO THE BMS.....	42
13.2	BMS PROTECTION.....	42
13.3	TROUBLESHOOTING.....	43
13.4	BATTERY END OF LIFE	45
14.	WARRANTY INFORMATION.....	45
15.	STORAGE	45
16.	CHANGELOG.....	46

1. TECHNICAL SPECIFICATIONS

MODULE OPERATING PARAMETERS			
Parameter	BMS		Recommended Charger Settings
Total Energy Capacity	14.3kWh @25C, 100% SOC		-
Voltage	51.2V		-
Capacity	280Ah ±2%		@25°C ±2°C @ 0.5C
Charging Voltage (Bulk/Absorb)	56.0V (±0.8V)		56.2V (±0.2V)
Float	-		54V (±0.2V)
SOC Cutoff	-		20%*
Charge Current	140A Max. Continuous		60 – 140A
Discharge Current	140A Max. Continuous 200A (Max. Continuous for 30 min)		60 – 140A
BMS PARAMETERS			
Charge	Spec	Delay	Recovery
Cell Voltage Protection	3.8V	1 sec	3.45V
Module Voltage Protection	60V	1 sec	55.2V
Charge Over-Current 1	>205A	10 sec	-
Charge Over-Current 2	>225A	3 sec	-
Temperature Protection	<23°F or >158°F <-5°C or >70°C	1 sec	>32°F or <140°F >0°C or <60°C
Discharge	Spec	Delay	Recovery
Cell Voltage Protection	2.3V	1 sec	3.1V
Module Voltage Protection	44.8V	1 sec	48V
Discharge Over-Current 1	>205A	10 sec	60 sec
Discharge Over-Current 2	>300A	3 sec	60 sec
Short Circuit	>600A	<0.1 ms	-
Temperature Protection	<-4°F or >167°F <-20°C or >75°C	1 sec	>14°F or <149°F (>-10°C or <65°C)
PCB Temperature Protection	>230°F (>110°C)	1 sec	@ <176°F (<80°C)
GENERAL SPECIFICATIONS			
Parameter	Spec		Condition
Cell Balance	120mA	Passive Balance	Cell Voltage Difference >40mV
Temperature Accuracy	3%	Cycle Measurement	Measure Range: -40°F – ≈212°F (-40°C – ≈100°C)
Voltage Accuracy	0.5%	Cycle Measurement	Cells & Module
Current Accuracy	3%	Cycle Measurement	Measure Range: -200 – 200A
SOC	5%		Integral Calculation
Power Consumption (Standby)	<300uA		Standby/Storage
Power Consumption (Operating)	<25mA		Charging/Discharging
Communication Ports	RS485/CAN		Customizable

*EG4 recommends this value be set no lower than 20% to maintain the recommended 80% depth of discharge.

BATTERY HEATER SPECIFICATIONS		
Parameter	Spec	Condition
Voltage	56V	-
Power Consumption	224W	-
Internal Battery Temperature	≤32°F (0°C) or ≥41°F (5°C)	Heat On/Heat Off
ENVIRONMENTAL PARAMETERS		
Charging Range		32°F to ≈122°F (0°C to ≈50°C)
Discharging Range		-4°F to ≈131°F (-20°C to ≈55°C)
Storage Range		32°F to ≈113°F (0°C to ≈45°C)
Operating Altitude		<16404 ft. (<5000 m)
Ingress Protection		IP65
PHYSICAL SPECIFICATIONS		
Dimensions (H × W × D)		36.1 × 22.3 × 9.1 in. (916 × 566 × 232 mm)
Weight		308.6 lbs. (140 kg)
Design Life		>15 years
Cycle Life		>8000 Cycles @ 0.5C 80% DOD
Lifetime Production		82.6MWh**
SAFETY CERTIFICATIONS		
Certifications		UL1973, UL9540A (Passed)

** $(51.2V \times 280Ah / 1000 \times 80\% \times 8000 \text{ cycles} / 1000) 90\% = MWh$

2. ABBREVIATIONS

- AWG – American Wire Gauge
- A – Amps
- Ah – Amp hour(s)
- AC – Alternating Current
- AFCI – Arc-Fault Circuit Interrupter
- AHJ – Authority Having Jurisdiction
- kAIC – kilo-Amp Interrupting Capability
- ANSI – American National Standards Institute
- BAT – Battery
- BMS – Battery Management System
- COM – Communication
- CT – Current Transformer
- DC – Direct Current
- DIP – Dual In-line Package
- DOD – Depth of Discharge
- EG – Equipment Ground
- EGS – Equipment Grounding System
- EMC – Electromagnetic Compatibility
- EPS – Emergency Power System
- ESS – Energy Storage System
- E-Stop – Emergency Stop
- FCC – Federal Communication Commission
- GE – Grounding Electrode
- GEC – Grounding Electrode Conductor
- GFCI – Ground Fault Circuit Interrupter
- GFDI – Ground Fault Detector/Interrupter
- Imp – Maximum Power Point Current
- IEEE – Institute of Electrical and Electronic Engineers
- IP – Ingress Protection
- I_{sc} – Short-Circuit Current
- In-lbs. – Inch Pounds
- kW – Kilowatt
- kWh – Kilowatt-hour
- LCD – Liquid Crystal Display
- LFP – Lithium Iron Phosphate
- L1 – Line 1
- L2 – Line 2
- mm – Millimeters
- MPPT – Maximum Power Point Tracking
- mV – Millivolt
- N – Neutral
- NEC – National Electric Code
- NEMA – National Electrical Manufacturers Association
- NFPA – National Fire Prevention Association
- Nm – Newton Meters
- NOCT – Normal Operating Cell Temperature
- PC – Personal Computer
- PCB – Printed Circuit Board
- PE – Protective Earth
- PPE – Personal Protective Equipment
- PV – Photovoltaic
- RSD – Rapid Shut Down
- SCC – Standards Council of Canada
- SOC – State of Charge
- STC – Standard Testing Conditions
- UL – Underwriters Laboratories
- UPS – Uninterrupted Power Supply
- V – Volts
- VOC – Open-Circuit Voltage
- VMP – Voltage Maximum Power

3. BATTERY SAFETY

3.1 SAFETY INSTRUCTIONS

Before any work begins, carefully read all safety instructions, and always observe them when working on or with the battery. The installation must follow all applicable national or local standards and regulations. Consult with the local AHJ to obtain the proper permits and permissions before installation.

Incorrect installation may cause:

- Injury or death to the installer, operator or third party
- Damage to the battery or other attached equipment

3.2 IMPORTANT SAFETY NOTIFICATIONS



DANGER!

Hazardous Voltage Circuits!

There are various safety concerns that must be carefully observed before, during, and after the installation, as well as during future operation and maintenance. The following are important safety notifications for the installer and any end users of this product under normal operating conditions.

1. Do not disassemble the battery. Contact the distributor for any issues that need repair for more information and proper handling instructions. Incorrect servicing or re-assembly may result in a risk of electric shock or fire and void the warranty.
2. Never short-circuit DC inputs. Short-circuiting the battery may result in a risk of electric shock or fire and can lead to severe injury or death and/or permanent damage to the unit and/or any connected equipment.
3. Use caution when working with metal tools on or around batteries and systems. Risk of electrical arcs and/or short circuiting of equipment can lead to severe injury or death and equipment damage.
4. Beware of high battery current. Ensure that the battery module breakers and/or on/off switches are in the “open” or “off” position before installing or working on the battery. Use a voltmeter to confirm there is no voltage present to avoid electric shock.
5. Do not make any connections or disconnections to the system while the batteries are operating. Damage to system components or risk of electrical shock may occur if working with energized batteries.
6. Make sure the battery and rack are properly grounded.
7. An installer should make sure to be well protected by reasonable and professional insulative equipment [e.g., personal protective equipment (PPE)].
8. Before installing, operating, or maintaining the system, it is important to inspect all existing wiring to ensure it meets the appropriate specifications and conditions for use.
9. Ensure that the battery and system component connections are secure and proper to prevent damage or injuries caused by improper installation.



WARNING: TO REDUCE THE RISK OF INJURY, READ ALL INSTRUCTIONS!

All work on this product (system design, installation, operation, setting, configuration, and maintenance) must be carried out by qualified personnel. To reduce the risk of electric shock, do not perform any servicing other than those specified in the operating instructions unless qualified to do so.

1. Read all instructions before commencing installation. For electrical work, follow all local and national wiring standards, regulations, and these installation instructions. All wiring should be in accordance with the National Electrical Code (NEC), ANSI/NFPA 70.
2. The battery and system can connect with the utility grid only if the utility provider permits. Consult with the local AHJ before installing this product for any additional regulations and requirements for the area.
3. All warning labels and nameplates on this battery should be clearly visible and must not be removed or covered.
4. The installer should consider the safety of future users when choosing the battery's correct position and location as specified in this manual.
5. Keep children away from touching or misusing the battery and relevant systems.

The battery is designed to stop charging when reaching the low threshold of 32°F. If charging current is observed when the internal battery temperature is below 32°F, disconnect battery immediately and consult distributor.



WARNING!

Cancer and Reproductive Harm – See www.P65Warnings.ca.gov for more details.

DISCLAIMER

EG4 reserves the right to make changes to the material herein at any time without notice.

Please refer to www.eg4electronics.com for the most updated version of our manuals/spec sheets.

4. SÉCURITÉ DE LA BATTERIE

4.1 CONSIGNES DE SÉCURITÉ

Avant de commencer tout travail, lisez attentivement toutes les consignes de sécurité et respectez-les toujours lorsque vous travaillez sur ou avec la batterie. L'installation doit être conforme à toutes les normes et réglementations nationales ou locales applicables. Consultez l'autorité compétente locale et/ou le service public pour obtenir les permis et les autorisations appropriés avant l'installation.

Une installation incorrecte peut entraîner les effets suivants :

- *Blessure ou décès de l'installateur, de l'exploitant ou d'un tiers*
- *Dommmages à la batterie ou à tout autre équipement attaché*

4.2 NOTIFICATIONS DE SÉCURITÉ IMPORTANTES



DANGER: Circuits à haute tension!

Il existe divers problèmes de sécurité qui doivent être soigneusement observés avant, pendant et après l'installation, ainsi que lors de l'utilisation et de la maintenance futures. Ce qui suit sont des notifications de sécurité importantes pour l'installateur et tout utilisateur final de ce produit dans des conditions de fonctionnement normales.

1. **Ne démontez pas la batterie.** Contactez le distributeur pour tout problème nécessitant une réparation pour plus d'informations et des instructions de manipulation appropriées. Un entretien ou un remontage incorrect peut entraîner un risque d'électrocution ou d'incendie et annuler la garantie.
2. **Ne court-circuitez jamais les entrées CC.** Un court-circuit de la batterie peut entraîner un risque d'électrocution ou d'incendie et peut entraîner des blessures graves ou la mort et/ou des dommages permanents à l'appareil et/ou à tout équipement connecté.
3. **Soyez prudent lorsque vous travaillez avec des outils métalliques sur ou à proximité des batteries et des systèmes. Le risque d'arcs électriques et/ou de court-circuit de l'équipement peut entraîner des blessures graves ou la mort et des dommages à l'équipement.**
4. **Attention au courant de batterie élevé.** Assurez-vous que les disjoncteurs du module de batterie et/ou les interrupteurs marche/arrêt sont en position « ouvert » ou « arrêt » avant d'installer ou de travailler sur la batterie. Utilisez un voltmètre pour confirmer qu'il n'y a pas de tension présente afin d'éviter les chocs électriques.
5. **N'effectuez aucune connexion ou déconnexion du système pendant que les batteries fonctionnent.** Des dommages aux composants du système ou un risque d'électrocution peuvent survenir si vous travaillez avec des batteries sous tension.
6. Assurez-vous que le banc de batteries est correctement mis à la terre.
7. Un installateur doit s'assurer d'être bien protégé par un équipement isolant raisonnable et professionnel [par exemple, un équipement de protection individuelle (EPI)].
8. Avant d'installer, d'utiliser ou d'entretenir le système, il est important d'inspecter tout le câblage existant pour s'assurer qu'il répond aux spécifications et aux conditions d'utilisation appropriées.
9. Assurez-vous que les connexions de la batterie et des composants du système sont sécurisées et appropriées pour éviter les dommages ou les blessures causés par une mauvaise installation.



AVERTISSEMENT : Pour réduire le risque de blessure, lisez toutes les instructions !

Tous les travaux sur ce produit (conception du système, installation, fonctionnement, réglage, configuration et maintenance) doivent être effectués par du personnel qualifié. Pour réduire le risque d'électrocution, n'effectuez aucun entretien autre que ceux spécifiés dans le mode d'emploi, à moins d'être qualifié pour le faire.

1. Lisez toutes les instructions avant de commencer l'installation. Pour les travaux électriques, suivez toutes les normes de câblage locales et nationales, les réglementations et ces instructions d'installation. Tout le câblage doit être conforme au Code national de l'électricité (NEC), ANSI/NFPA 70.
2. La batterie et le système ne peuvent se connecter au réseau public que si le fournisseur d'électricité l'autorise. Consultez l'AHJ local avant d'installer ce produit pour connaître les réglementations et exigences supplémentaires de la région.
3. Toutes les étiquettes d'avertissement et les plaques signalétiques de cette batterie doivent être clairement visibles et ne doivent pas être retirées ou couvertes.
4. L'installateur doit tenir compte de la sécurité des futurs utilisateurs lors du choix de la position et de l'emplacement corrects de la batterie, comme spécifié dans ce manuel.
5. Tenez les enfants à l'écart de la batterie et des systèmes concernés ou de les utiliser à mauvais escient.

La batterie est conçue pour arrêter de se charger lorsqu'elle atteint le seuil bas de 23 °F. Si un courant de charge est observé lorsque la température interne de la batterie est inférieure à 23 °F, débranchez immédiatement la batterie et consultez le distributeur.



AVERTISSEMENT : Cancer et troubles de la reproduction – Voir

www.P65Warnings.ca.gov pour plus de détails.

DISCLAIMER

EG4® se réserve le droit de modifier le contenu de ce document à tout moment sans préavis. Veuillez consulter www.eg4electronics.com pour la version la plus récente de nos manuels/fiches techniques.

5. BRIEF INTRODUCTION

Battery Features

- Constant rated output current of 200A
- IP65 all-weather rated, integrated self-heating during low ambient temperatures
- Smart balancing of cells enhancing the battery consistency and the lifespan up to 15 years of life with over 8000 cycles at 80% DOD at 0.5C
- Built-in intelligent BMS with battery voltage, current, temperature, and health management to reduce electrical risks and overheating
- Internal busbars rated to 600 Amps for paralleling multiple batteries and feeding multiple inverters
- Real time monitoring and LCD screen to display battery voltage, current, temperature, SOC in detail
- Integrated E-stop circuit supports emergency stop function with remote Rapid Shutdown Initiator (RSD) or Energy Storage Systems (ESS) disconnect or by inverter's RSD or ESS terminals
- Communicate with inverter using CAN or RS485. Firmware update using RS485
- Plug-and-play cable installation with the use of the 250A weather-tight quick connectors
- Stable, reliable, and maintenance-free battery pack
- Comprehensive safety UL9540A, UL1973 on cell and module level with enhanced onboard fire-extinguishing modules

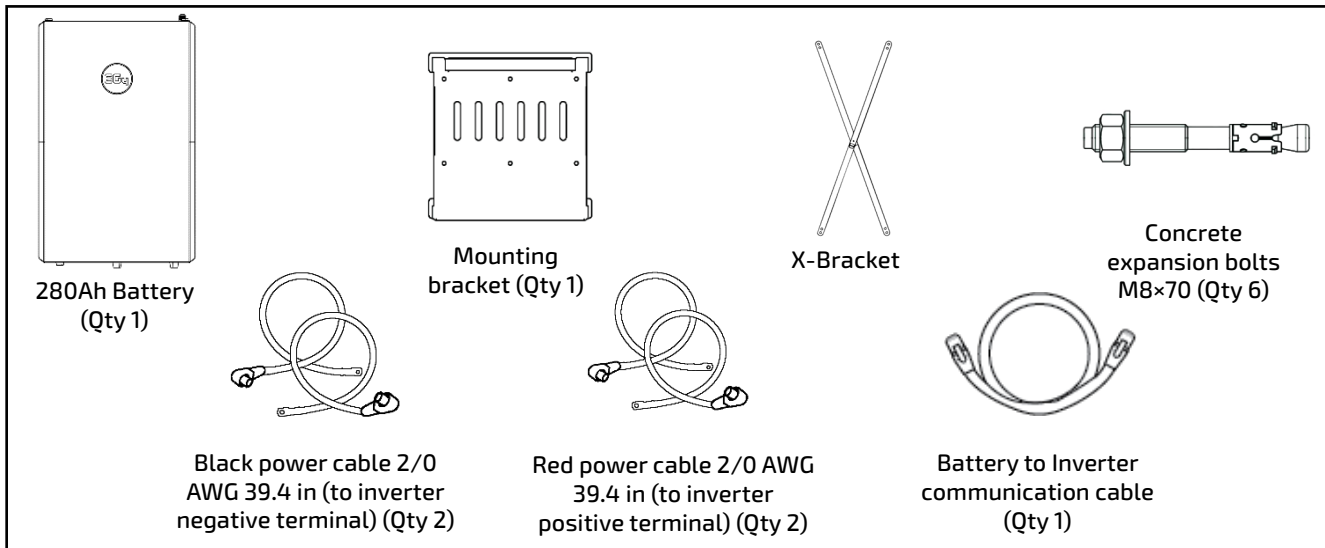
5.1 PRODUCT DESCRIPTION

The EG4 48V WallMount All Weather 280Ah batteries are ideal for low-voltage residential outdoor energy storage system (ESS) applications. These batteries use lithium iron phosphate (LiFePO₄ or LFP) cells with the highest safety performance and an intelligent Battery Management System (BMS) that can monitor and record the voltage of each cell, along with the current, voltage, and temperature of the module in real-time. The BMS also contains a passive balance function and an advanced battery control method, both of which improve the performance of the battery pack. For enhanced security, the battery has two onboard fire-extinguishing modules. With a design life of more than 15 years, the WallMount is designed to last over 8000 cycles at 80% DOD at 0.5C°.

6. PACKING LIST

The items listed below are included with the purchase:

Figure 1 – Packing List



Battery Overview

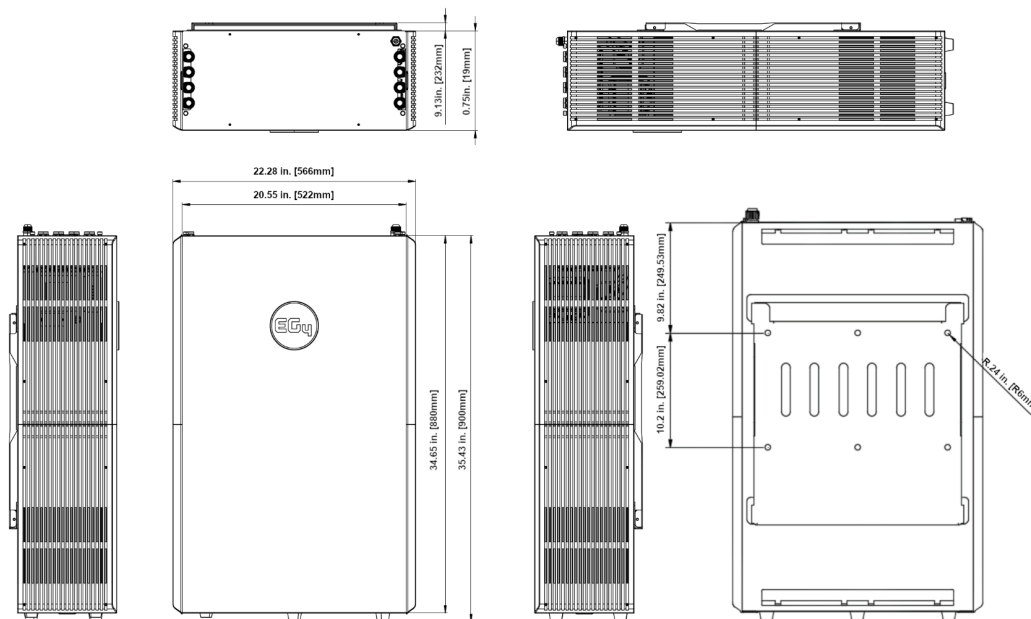


Figure 2 – Battery Cross-Sectional View



DANGER: When installing or removing battery, ensure battery is in the off position, and use a voltmeter to confirm there is no voltage present. This will prevent users from encountering live (powered) terminals by accident.

Failure to do so can result in severe injury and/or death.

6.1 BATTERY DIAGRAM

It is highly recommended to install the battery with at least 6-inch (152.4 mm) clearance on each side of the battery (back and front sides excluded) to easily access the side panel.

Side Panel Screws

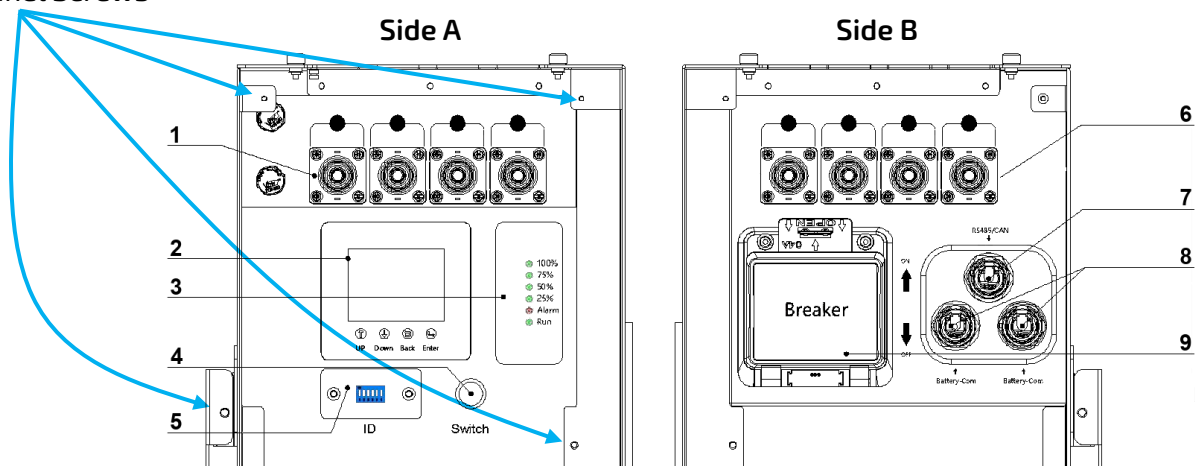


Figure 3 – Battery (side view)



NOTE: Additional hardware **may** be required to remove the side terminal covers. EG4 recommends a Phillips head screwdriver to remove said screws.

NO.	ITEM	DESCRIPTION	REMARKS
1	Negative Terminals	Connects to negative terminal of Inverter and/or paralleled battery	
2	LCD Screen	Shows battery information	
3	SOC Display	State of Charge LED	
4	Power Switch	Turns BMS on/off	
5	ID/DIP Switch	DIP Switch board for BMS	
6	Positive Terminal	Connects to positive terminal of Inverter and/or paralleled battery	
7	RS485/CAN Port	RS485/CAN Communication Interface	Pin 1 & Pin 8 – RS485_B Pin 2 & Pin 7 – RS485_A Pin 4 – CAN_H Pin 5 – CAN_L
8	Battery-Comm	Parallel battery Communication Port	Pin 1 & Pin 8 – RS485_B Pin 2 & Pin 7 – RS485_A Pin 3 & Pin 6 – E-Stop NO
9	Battery Disconnect Breaker	Turns power supply on/off	Double Pole Single Throw 125 Frame size 125A Rating*



***NOTE:** The battery disconnect breaker is 2 single pole breakers with a singular switch, paralleled together to reach a 250A rating.

7. LOCATION SELECTION AND INSTALLATION



WARNING

- **Do not put these batteries in series.** The BMS and internal components are not designed to handle this setup, which could cause the modules to fail.
- The WallMount battery is heavy. Use a lift or other equipment to lift and carry the unit.
- The battery can be installed against a flat wall, but the weight of the battery should not be fully supported by the wall. To help with this requirement, the battery comes with pre-installed feet that should be used to allow some of the weight of the battery to rest on the ground.
- If the battery is installed on a wall, ensure compliance with all local jurisdictional codes and regulations.
- If installing on flat ground as a standalone unit, ensure there is proper drainage on the ground surrounding the battery to maintain integrity of the module over time and prevent damage from flooding. If installing against a wall, ensure at least a 6 in. (152.4 mm) gap on each side of the unit for adequate airflow and operations.
- Always mount the battery in an upright position.



NOTE: The battery will be shipped with temporary lifting handles for removing the battery from its packaging. See image below for location. EG4® recommends removing the handles before connecting any wiring to the battery.

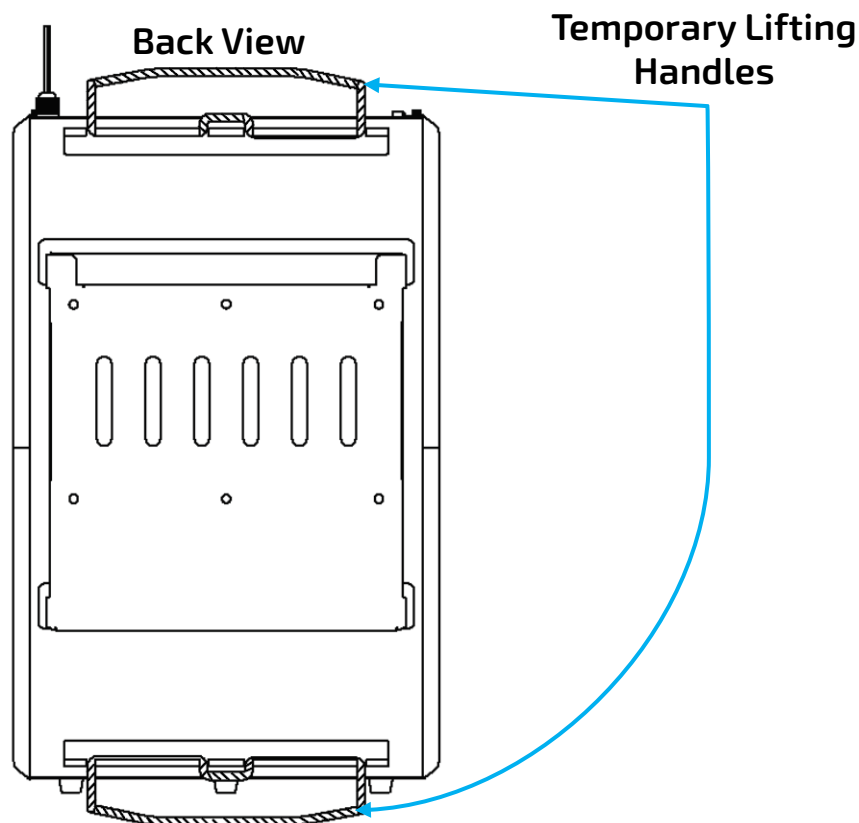


Figure 4 – Battery Lifting Handles

7.1 SPACING REQUIREMENTS

Spacing requirements may differ depending on where the EG4 WallMount All Weather battery is installed.

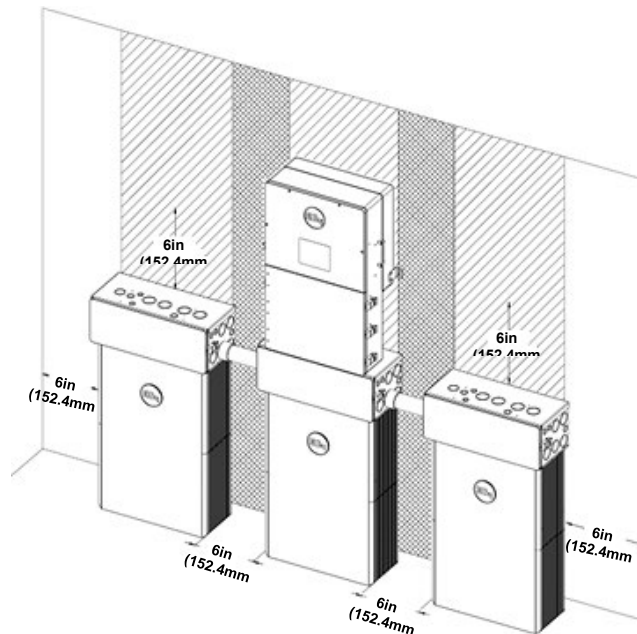
- Based on UL 9540A testing, the manufacturer’s recommended minimum spacing between WallMount 280Ah batteries is 6 in. (See Intertek/ETL Test Report 240530170GZU-002). Consult the AHJ prior to installation to see if they allow reduced spacing between the batteries. If not, follow the applicable state or local building and/or fire code spacing requirements.
- Follow all NEC and other local codes while installing the product.

The battery can be installed in multiple different configurations:

1. Installation without a conduit box (Sec 7.4)
2. Installation with a conduit box (Sec 7.5)
3. Installation with EG4 18kPV inverter (Sec 7.6)
4. Installation with EG4 12kPV, FlexBOSS18 and FlexBOSS21 inverters (Sec 7.7)



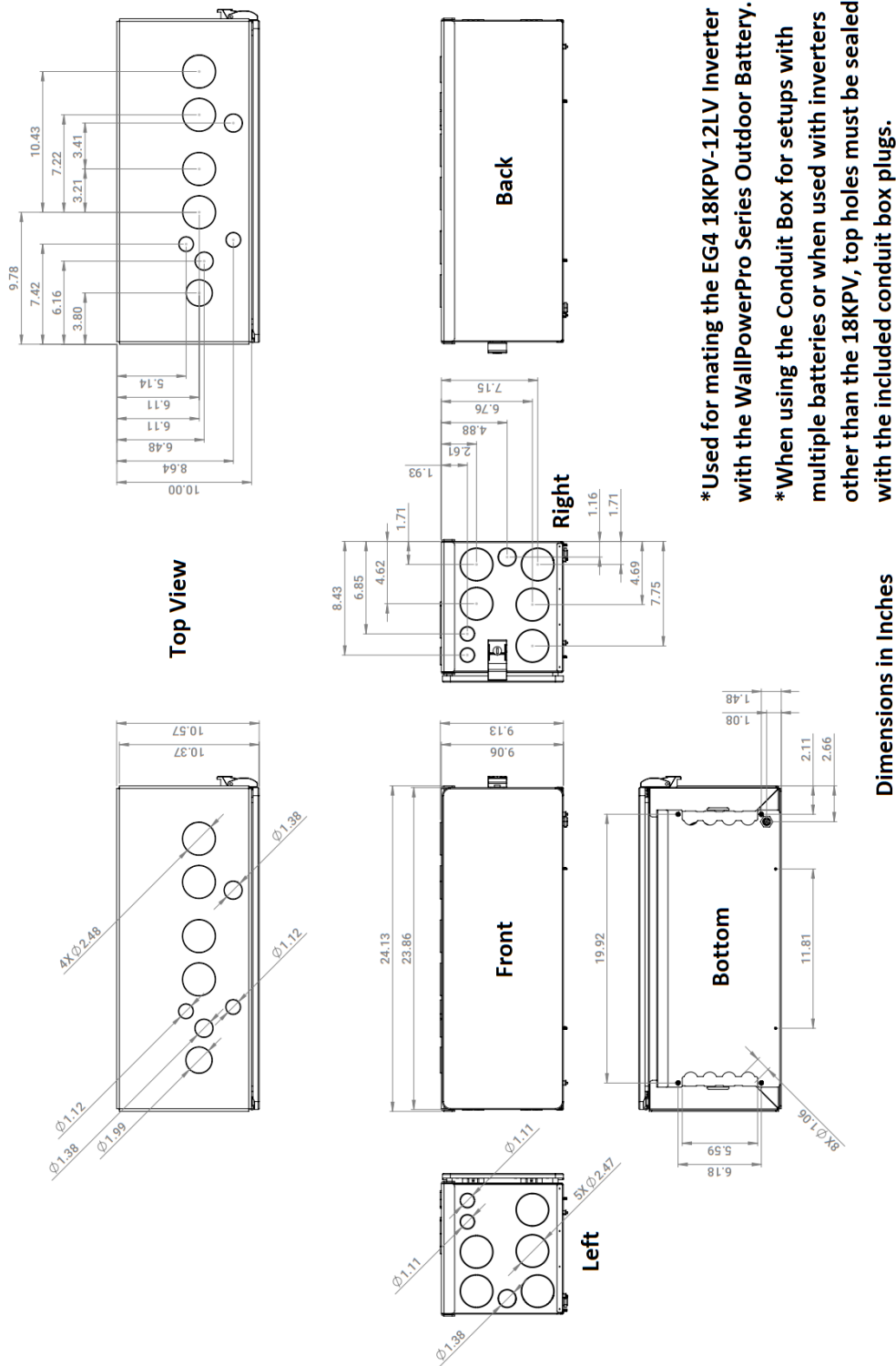
IMPORTANT: For indoor/enclosed installations, ensure a minimum installation space volume of 79.66 m³, if not ventilated. This ensures flammable gas stays below 25% of the lower flammable limit (LFL) in case of thermal runaway. Room volume is based on released gases and the number of battery cells affected during testing. Adding more EG4® WallMount All Weather Batteries does not require a larger installation location, as tests showed no propagation between units. Required installation volume may be reduced with proper ventilation per code and jurisdictional requirements.



7.2 280AH ALL WEATHER CONDUIT BOX INSTALLATION

The conduit box is a highly recommended accessory for the battery to retain all the cables inside an enclosure for added protection and safety. The conduit box holds both the conduits and wires that are running between the inverter and the battery.

Each conduit box comes with 8 thumb screws that can be used to attach the inverter and the battery.



*Used for mating the EG4 18KPV-12LV Inverter with the WallPowerPro Series Outdoor Battery.

*When using the Conduit Box for setups with multiple batteries or when used with inverters other than the 18KPV, top holes must be sealed with the included conduit box plugs.

Figure 6 – Conduit Box Schematics

Step 1: Identify the four screw locations that attach to the battery (**Figure 7**). Place the conduit box on top of the battery and use the provided thumb screws to tighten the conduit box to the battery.

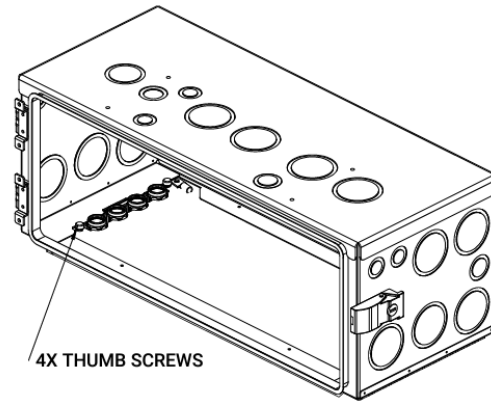
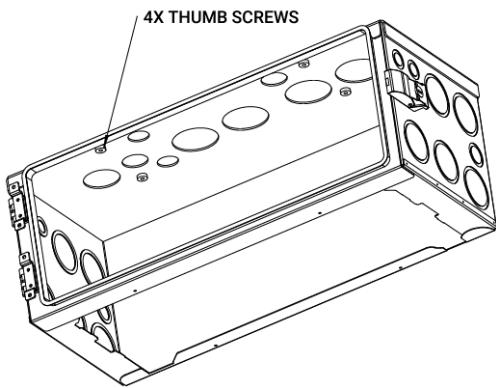


Figure 7 – Conduit Box Thumb Screws



Step 2: If installing the WallMount along with the 18kPV inverter (Sec 7.6), please use the remaining 4 thumb screws on the top side of the conduit box to secure it to the inverter, as shown in **Figure 8**.

Figure 8 – Conduit Box Thumb Screws

If installing the WallMount as an additional battery or along with non-EG4 18kPV inverter (Section 7.6), please use the plugs to cover the top holes on the conduit box. Refer to **Figure 9**.

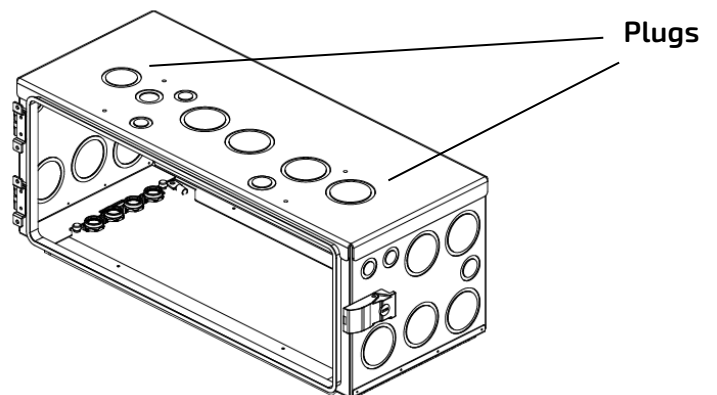
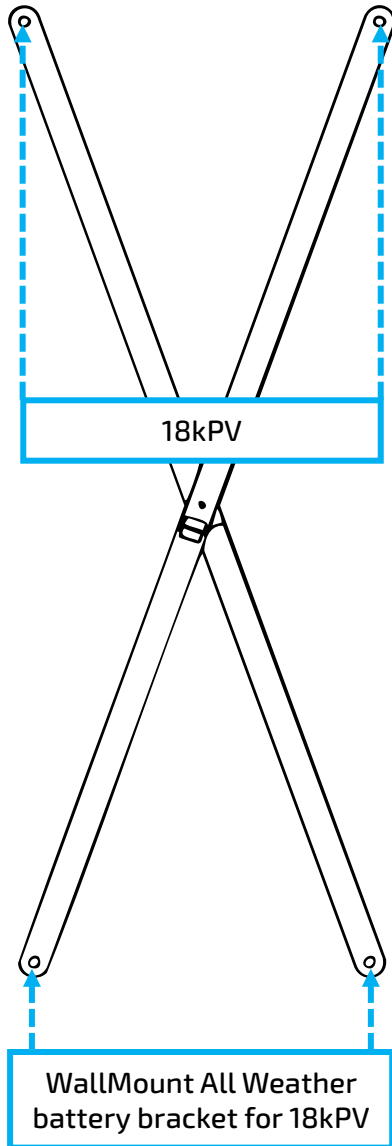


Figure 9 – Conduit Box Plug Location

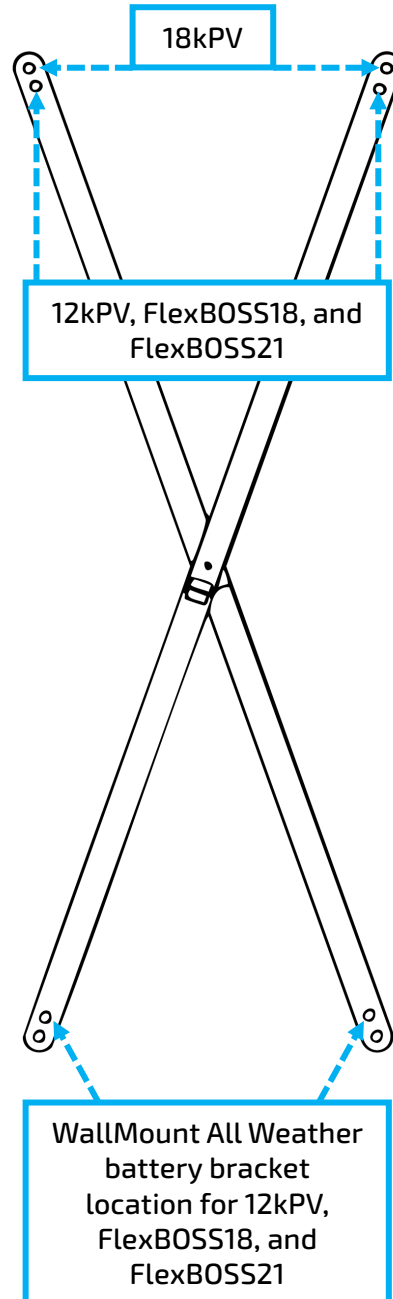
7.3 X-BRACKET OVERVIEW

There are two sets of mounting holes on the x-bracket. The outermost holes in the image below are used for the 18kPV. The innermost holes are for the 12kPV, FlexBOSS18, and FlexBOSS21.

X-bracket (v1)



X-bracket (v2)



7.4 INSTALLATION WITHOUT A CONDUIT BOX



CAUTION: ALWAYS MOUNT THE BATTERY IN AN UPRIGHT POSITION!

Mounting Instructions

1. Place mounting bracket on wall at proper mounting height (min. 28.0625 in) from the ground; use a level to make sure the bracket is straight, and mark mounting hole locations. Drill holes to accommodate mounting hardware being used.



Note: The mounting bracket at 28.065 in. from the ground makes the battery sit on the ground.

2. Secure mounting bracket to the wall using the included expansion bolts (concrete/brick walls) or appropriate hardware required for the mounting surface.



Note: If **not** mounting into concrete or brick using the included expansion bolts, ensure bolts are mounted into both studs or other supportive material. The battery is 300lbs, please ensure full mounting support.

3. Attach the WallMount battery pack to the mounting bracket. To accomplish this, lift the battery up and hook the flange on the back of the battery into the flange on the front of the mounting bracket. Secure the battery to the mounting bracket with the 4 included side screws (see Figure 10)



Note: The battery is very heavy. Please use the team lift technique to prevent damage to personnel and/or equipment

4. Finally, properly ground the battery, attaching a grounding conductor to the M6 grounding screw on top of the battery to the Equipment Grounding System.

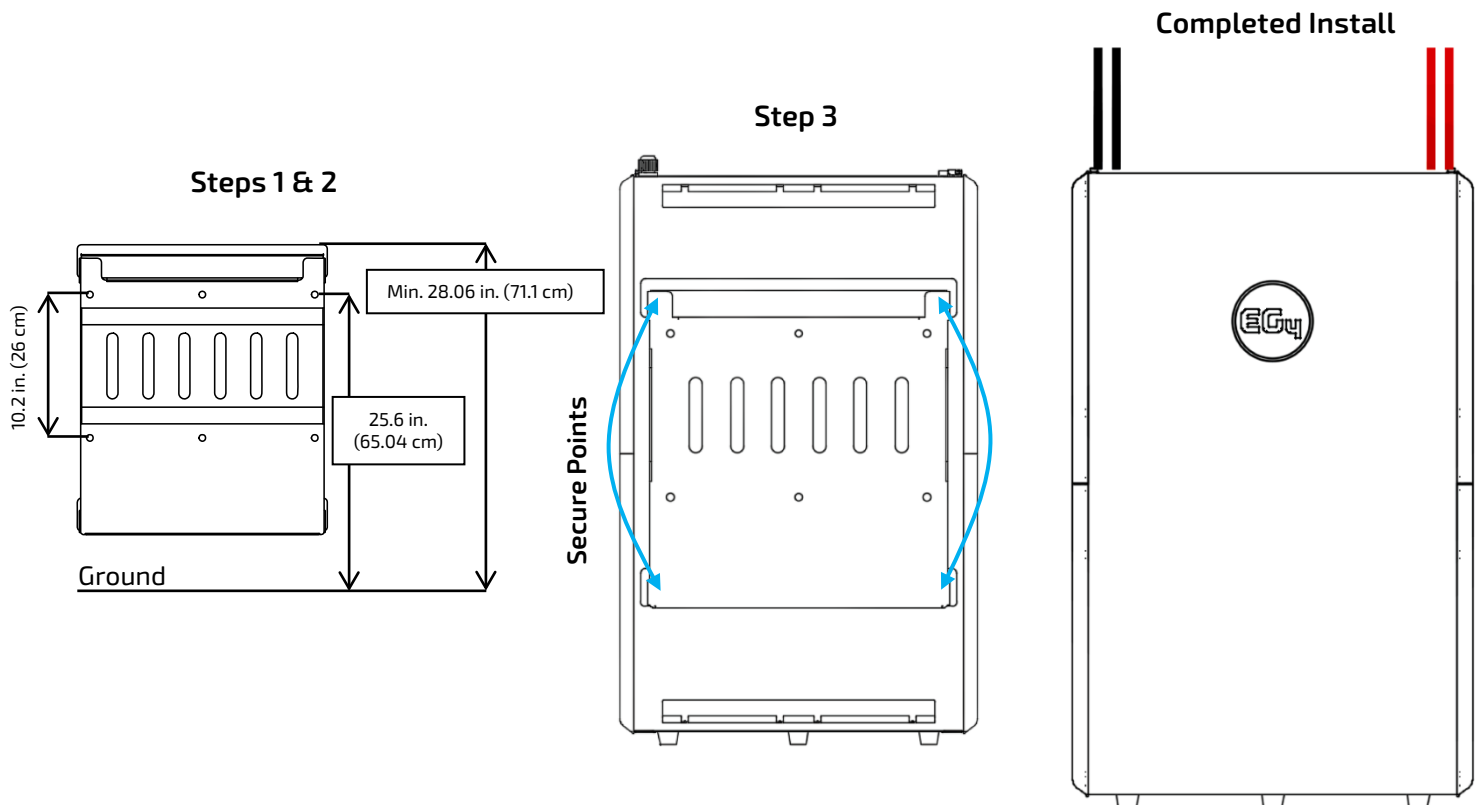


Figure 10 – WallMount Installation without Conduit Box

7.5 INSTALLATION WITH A CONDUIT BOX

Attach the conduit box (sold separately) to the top of the WallMount battery using the included hardware. Refer to Section 7.2 for the conduit box installation instructions.



CAUTION: ALWAYS MOUNT THE BATTERY IN AN UPRIGHT POSITION!

Mounting Instructions

1. Place mounting bracket on wall at proper mounting height (minimum 28.0625 in) from the ground; use a level to make sure the bracket is straight, and mark mounting hole locations. Drill holes to accommodate mounting hardware being used.



Note: The mounting bracket at 28.065 in. from the ground makes the battery sit on the ground.

2. Secure mounting bracket to the wall using the included expansion bolts (concrete/brick walls) or appropriate hardware required for the mounting surface.



Note: If **not** mounting into concrete or brick using the included expansion bolts, ensure bolts are mounted into both studs or other supportive material. The battery is 300lb, please ensure full mounting support.

3. Attach the WallMount battery pack to the mounting bracket. To accomplish this, lift the battery up and hook the flange on the back of the battery into the flange on the front of the mounting bracket. Secure the battery to the mounting bracket with the 4 included side screws (see Figure 12)



Note: The battery is very heavy. Please use the team lift technique to prevent damage to personnel and/or equipment

4. Attach the conduit box (sold separately) to the top of the WallMount battery using the included hardware.
5. Finally, properly ground the battery, attaching a grounding conductor to the M6 grounding screw on top of the battery to the Equipment Grounding System.

Steps 1 & 2

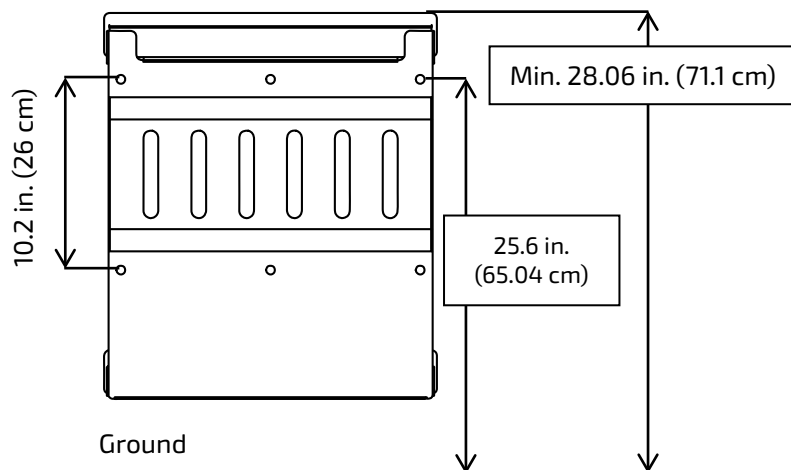


Figure 11 – WallMount Installation with Conduit Box Steps 1 & 2

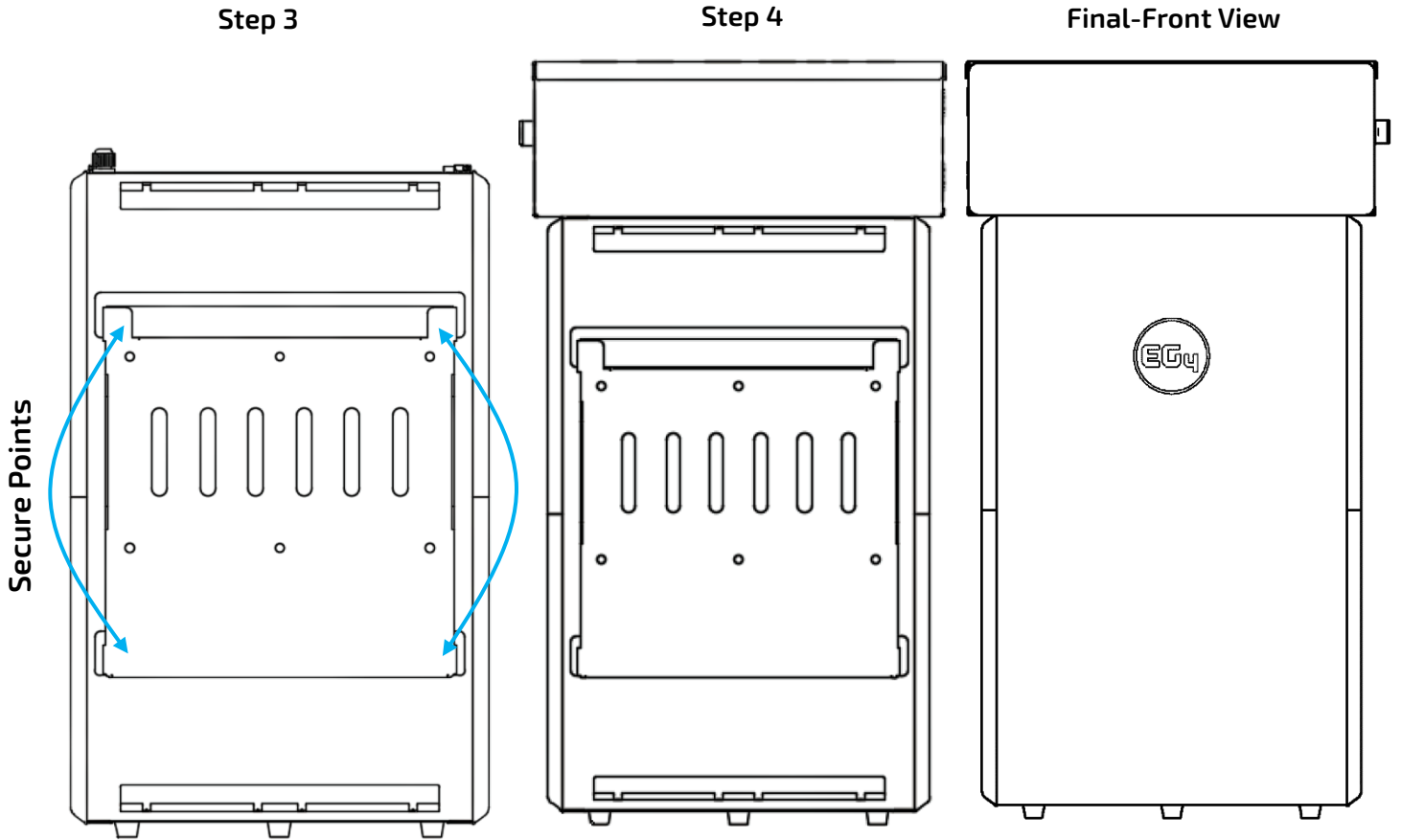


Figure 12 - WallMount Installation with Conduit Box Steps 3, 4 & 5

7.6 WITH EG4® 18KPV INVERTER



CAUTION: ALWAYS MOUNT THE BATTERY IN AN UPRIGHT POSITION!

Mounting Instructions with EG4 18kPV (See diagrams on following pages)

Note: If **not** mounting into concrete or brick using the included expansion bolts, ensure bolts are mounted into both studs or other supportive material. The battery is 300lb, please ensure full mounting support.

1. Place mounting bracket on wall at proper mounting height (Min. 28.0625 in.) from the ground; use a level to make sure the bracket is straight, and mark mounting hole locations. Drill holes to accommodate mounting hardware being used.



Note: The mounting bracket at 28.065in from the ground makes the battery sit on the ground.

2. Align the provided X-bracket with the holes on the mounting bracket and secure both to the wall, using the included expansion bolts (concrete/brick walls) or appropriate hardware required for the mounting surface. The X-bracket will be behind the mounting plate, against the wall.
3. Using the X-bracket as a guide, attach the EG4 18kPV mounting bracket using the appropriate hardware required for the mounting surface.
4. Attach the WallMount battery pack to the mounting bracket. To accomplish this, lift the battery up and hook the flange on the back of the battery into the flange on the front of the mounting bracket. Secure the battery to the mounting bracket with the 4 included side screws (see Figure 14).



Note: The battery is very heavy. Please use the team lift technique to prevent damage to personnel and/or equipment

5. Attach the conduit box (sold separately) to the top of the WallMount battery using the included hardware.
6. Attach the 18kPV to the inverter mounting bracket making sure that the holes of the inverter align with the conduit box and secure to each other with the included hardware.
7. Finally, properly ground the battery, attaching a grounding conductor to the M6 grounding screw on top of the battery to the Equipment Grounding System.

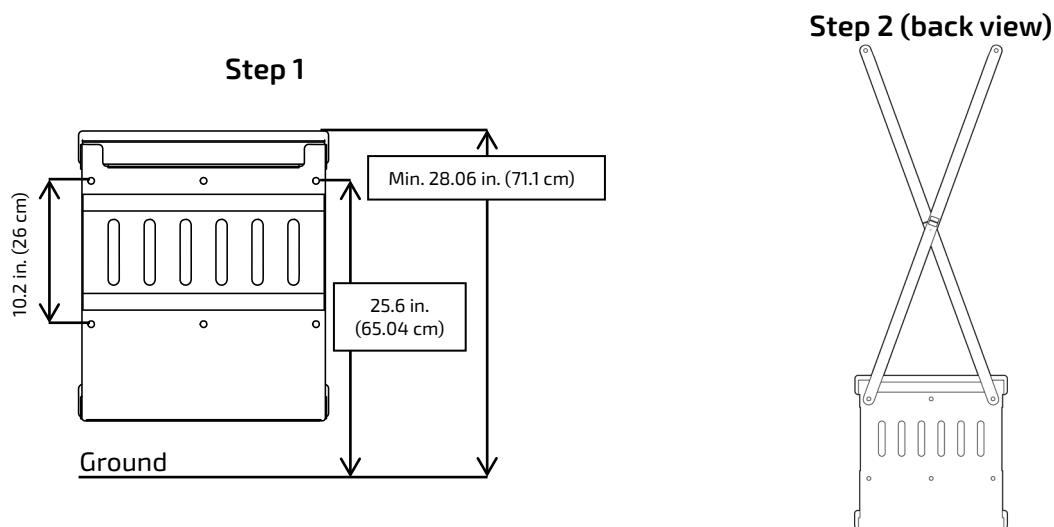
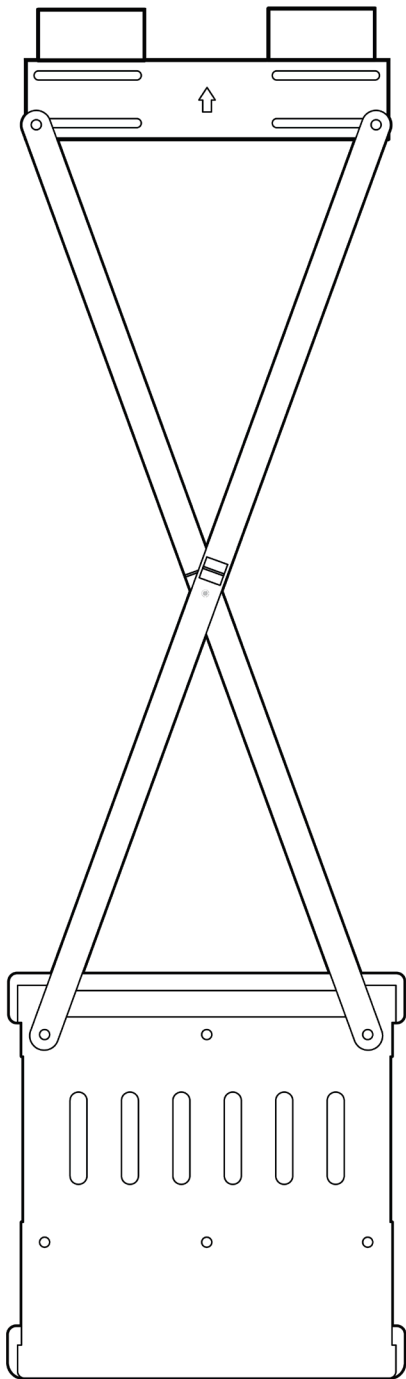


Figure 13 – WallMount Installation with Conduit Box & 18kPV Steps 1 & 2

Step 3 (back view)



Step 4 (back view)

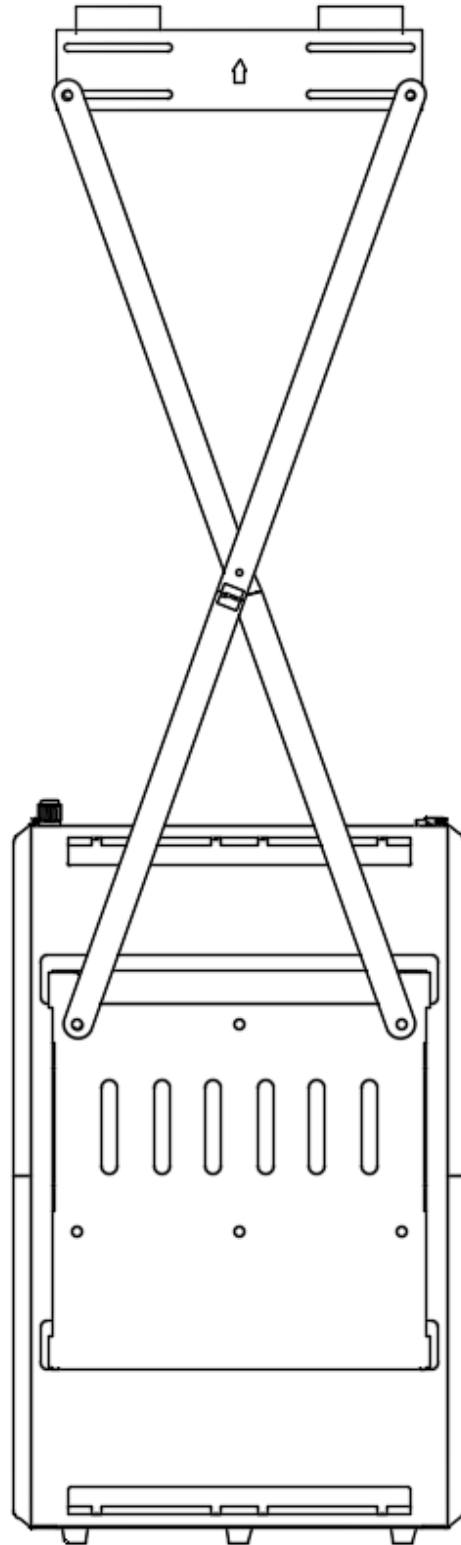
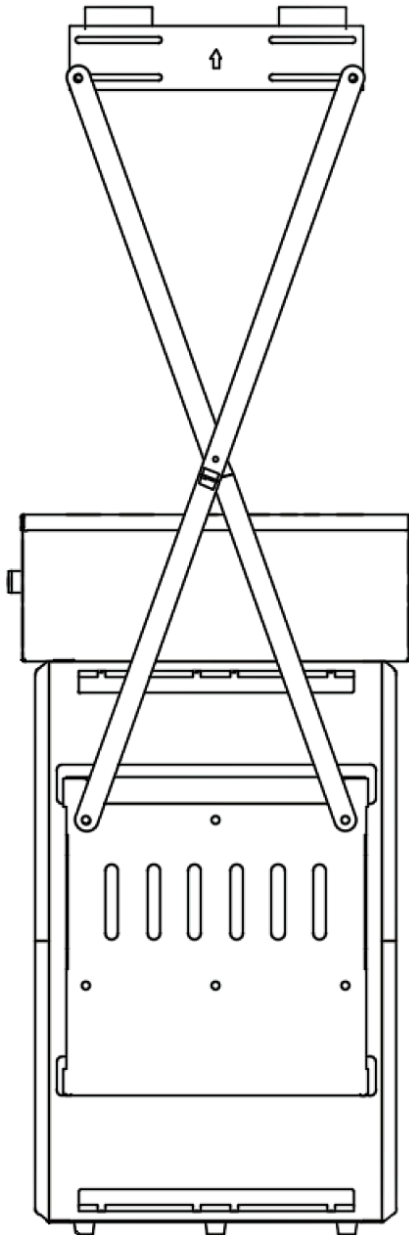


Figure 14 – WallMount Installation with Conduit Box & 18kPV Steps 3 & 4

Step 5 (back view)



Step 6 (back view)

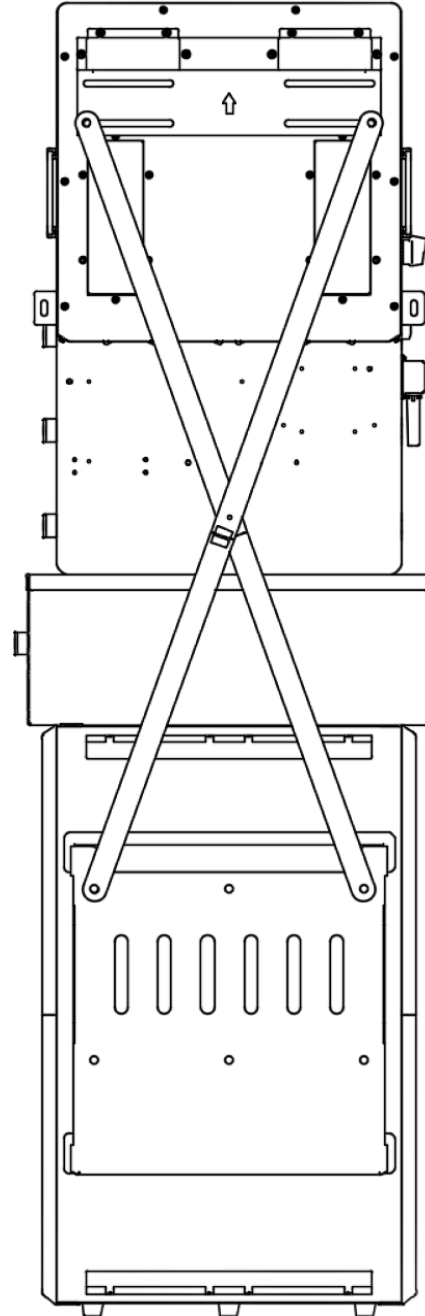


Figure 15 – WallMount Installation with Conduit Box & 18kPV Steps 5 & 6

Final - Front View w/ Dimensions

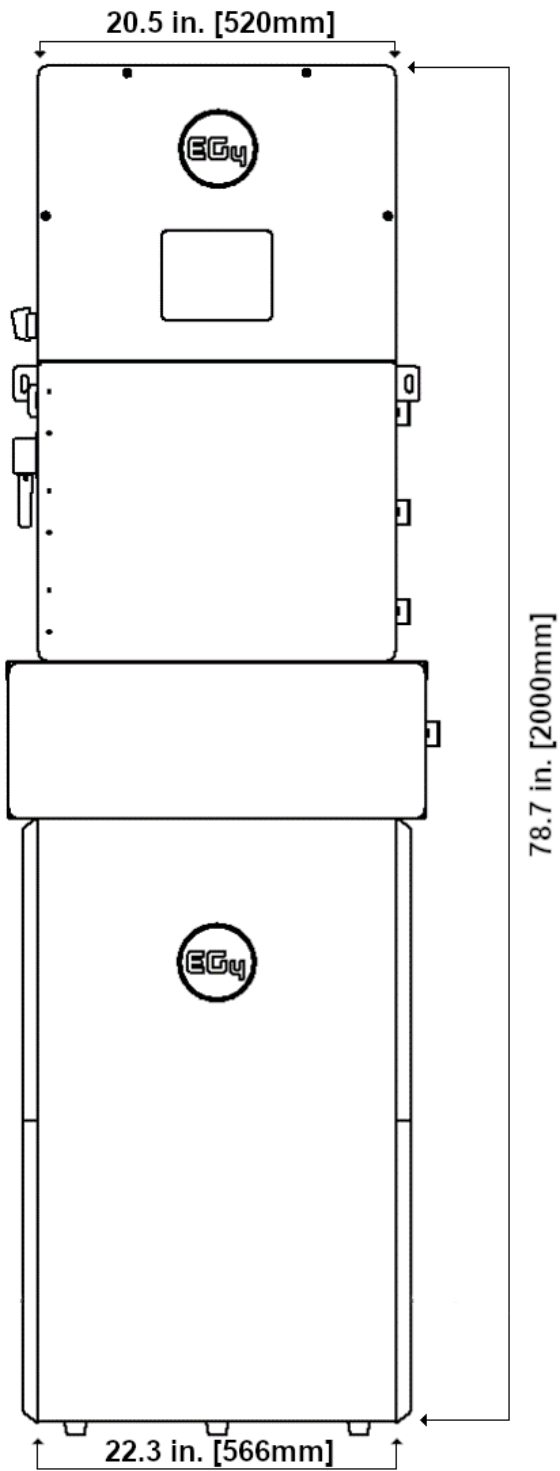


Figure 16 – WallMount Installation with Conduit Box & 18kPV Final

7.7 WITH EG4® 12KPV, FLEXBOSS18 & 21 INVERTER



CAUTION: ALWAYS MOUNT THE BATTERY IN AN UPRIGHT POSITION!

Mounting Instructions (See diagrams on following pages)

Note: If **not** mounting into concrete or brick using the included expansion bolts, ensure bolts are mounted into both studs or other supportive material. The battery is over 300 lbs., please ensure full mounting support.

1. Place mounting bracket on wall at proper mounting height (Min. 28.0625 in.) from the ground; use a level to make sure the bracket is straight, and mark mounting hole locations. Drill holes to accommodate mounting hardware being used.



The images below correlate to the steps taken in this list.

Note: The mounting bracket at 28.0625in from the ground makes the battery sit on the ground.

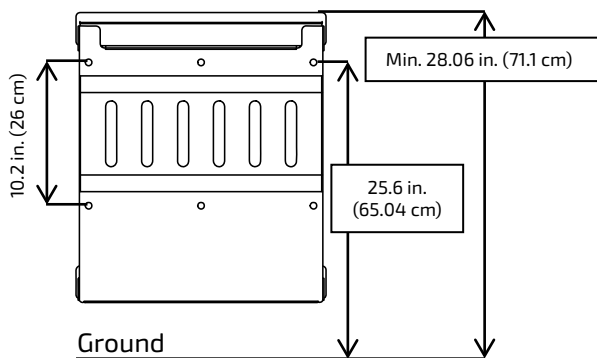
2. Align the innermost holes on the X-bracket with the holes on the mounting bracket and secure both to the wall, using the included expansion bolts (concrete/brick walls) or appropriate hardware required for the mounting surface. The X-bracket will be behind the mounting plate, against the wall.
3. Using the innermost holes on the X-bracket as a guide, attach the inverter mounting bracket using the appropriate hardware required for the mounting surface.
4. Attach the WallMount battery pack to the mounting bracket. To accomplish this, lift the battery up and hook the flange on the back of the battery into the flange on the front of the mounting bracket. Secure the battery to the mounting bracket with the 4 included side screws.



Note: The battery is very heavy. Please use the team lift technique to prevent damage to personnel and/or equipment

5. Attach the conduit box (sold separately) to the top of the WallMount battery using the included hardware.
6. Attach the 12kPV to the inverter mounting bracket making sure that the holes of the inverter align with the conduit box. Secure the conduit box to the inverter with the included hardware (if applicable).

Step 1 (front view)



Step 2 (back view)

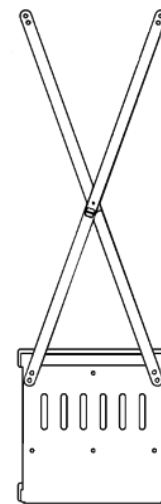
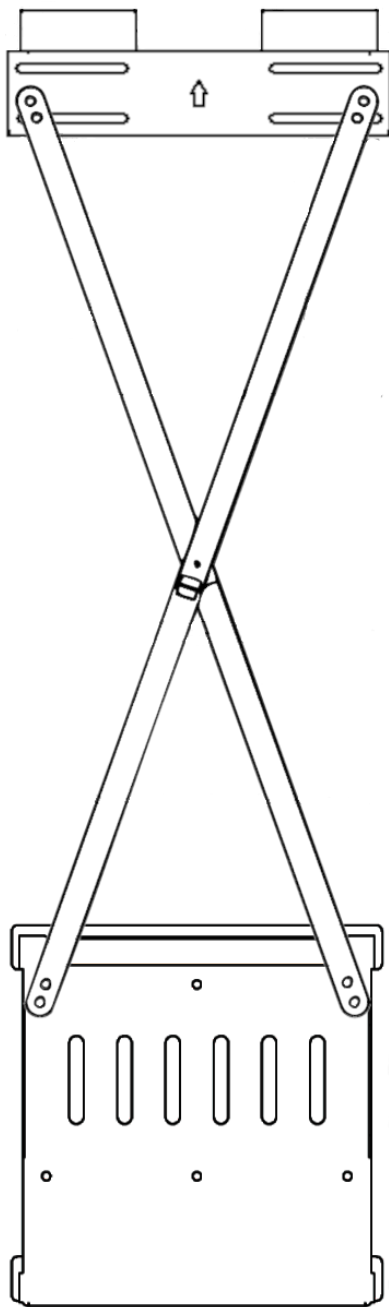


Figure 6 – WallMount Installation with Conduit Box & 12kPV Steps 1 & 2

Step 3 (back view)



Step 4 (back view)

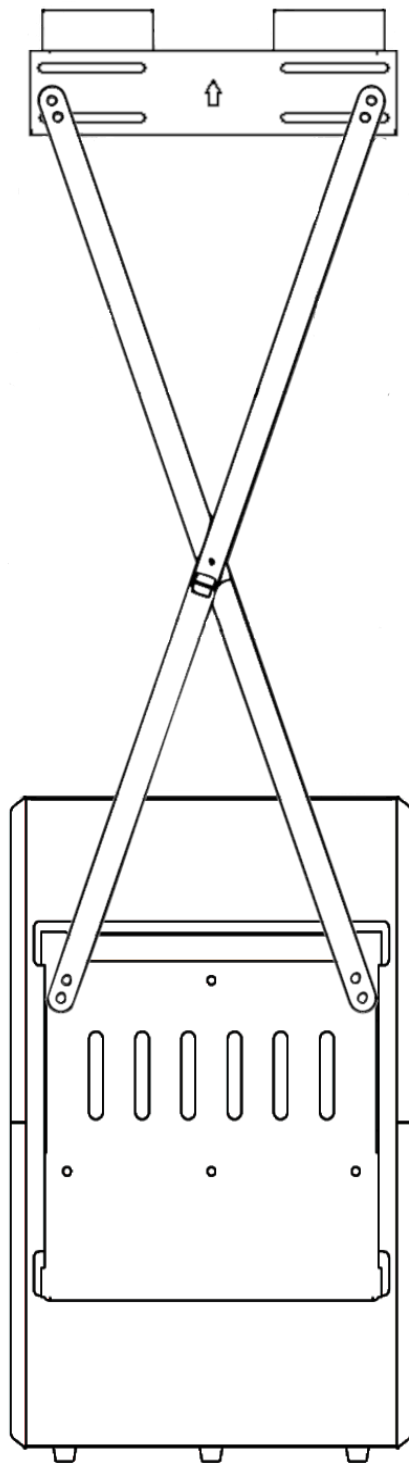
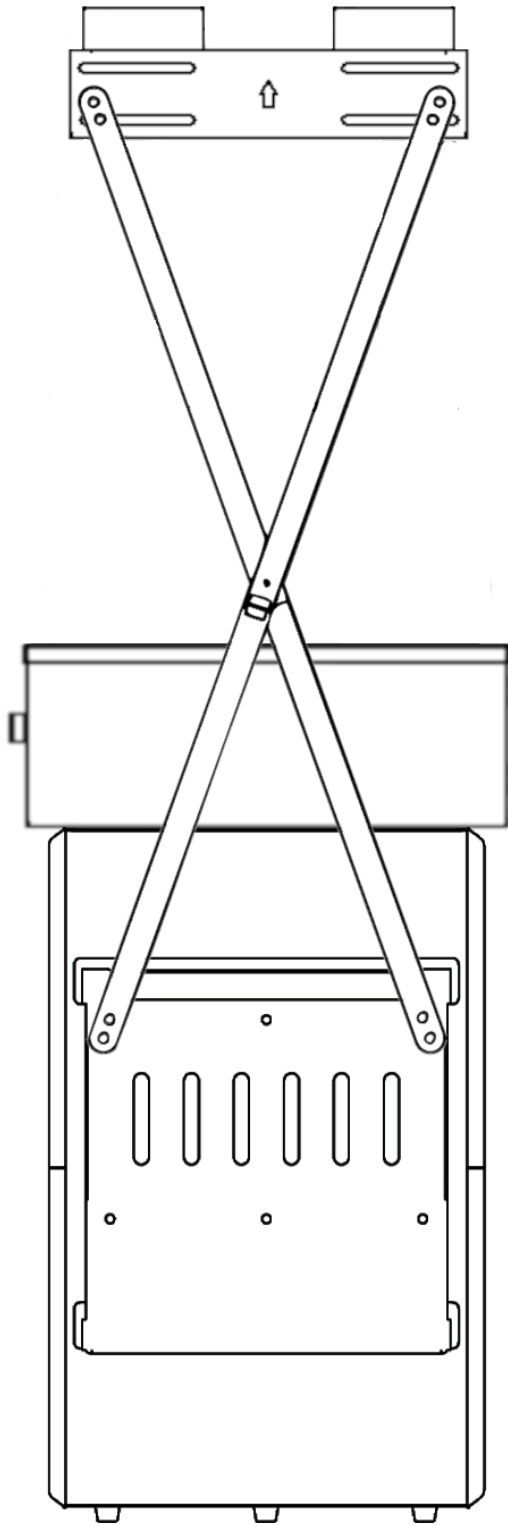


Figure 7 – WallMount Installation with Conduit Box & 12kPV Steps 3 & 4

Step 5 (back view)



Step 6 (back view)

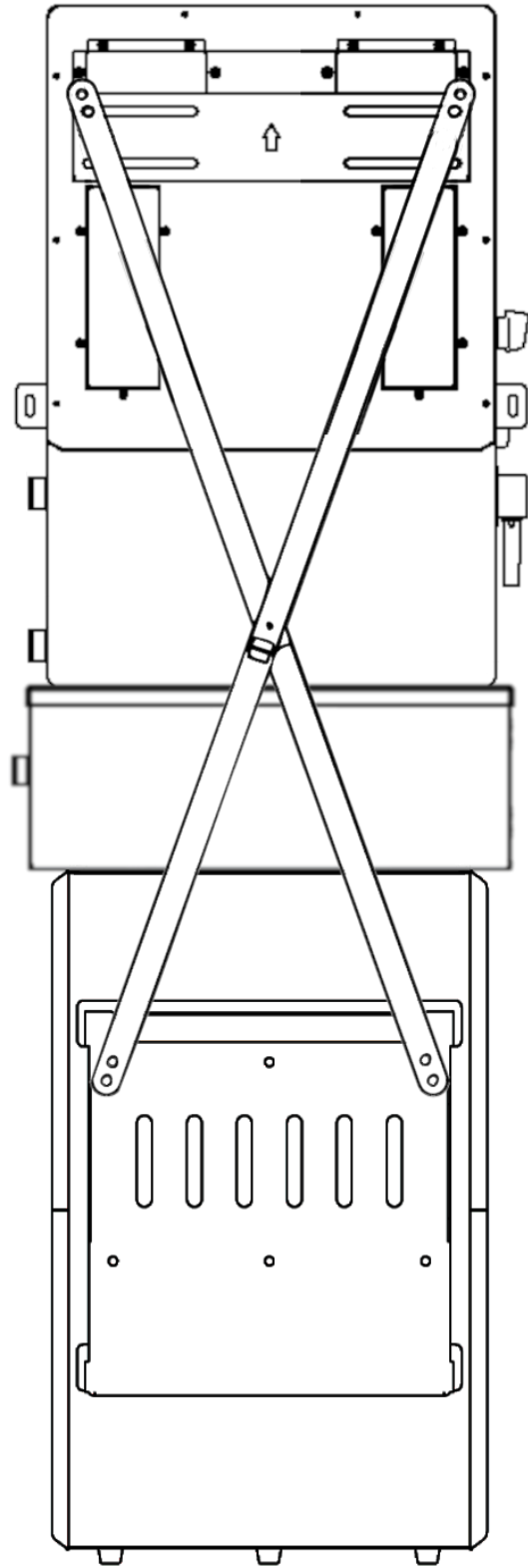


Figure 8 – WallMount Installation with Conduit Box & 12kPV, FlexBOSS18 & 21
Steps 5 & 6

8. GENERAL INSTALLATION



WARNING

Be sure the battery packs are powered **“OFF”** before making/removing any connections.

Use the two included sets of 2/0 AWG (70mm) outdoor rated positive and negative battery cables with the outdoor rated connectors. The connectors will “click” when seated properly.

Note: To remove the circular connector installed on the battery, first press the release button on the side of the connector, then slowly pull until the connection is broken.

When paralleling batteries, use one set of 2/0 AWG (70mm) positive and negative battery cables with outdoor rated connectors on both ends to connect battery to battery. These cables are available from the distributor as a paralleling kit.

When paralleling batteries, use a communication cable to attach the master battery to additional batteries for battery-to-battery communication. This cable is also available from the distributor in the paralleling kit.



NOTE: When installing multiple batteries or adding a battery to an existing rack, please ensure all batteries are charged to 100% before paralleling together. This step is crucial to optimize battery performance and ensure proper operation.

8.1 BATTERY PARALLELING GUIDE

1. Ensure all battery breakers and BMS are OFF.
2. Set the address code of each battery according to the DIP Switch ID Table (*see Section 10.1: DIP Switch ID Table*), making sure there are no duplicate addresses.
3. Set up communication between the batteries via the “Battery-Comm” ports of each battery. Use the paralleling kit communication cable to daisy chain all paralleled batteries in the bank together. See diagram below for example.

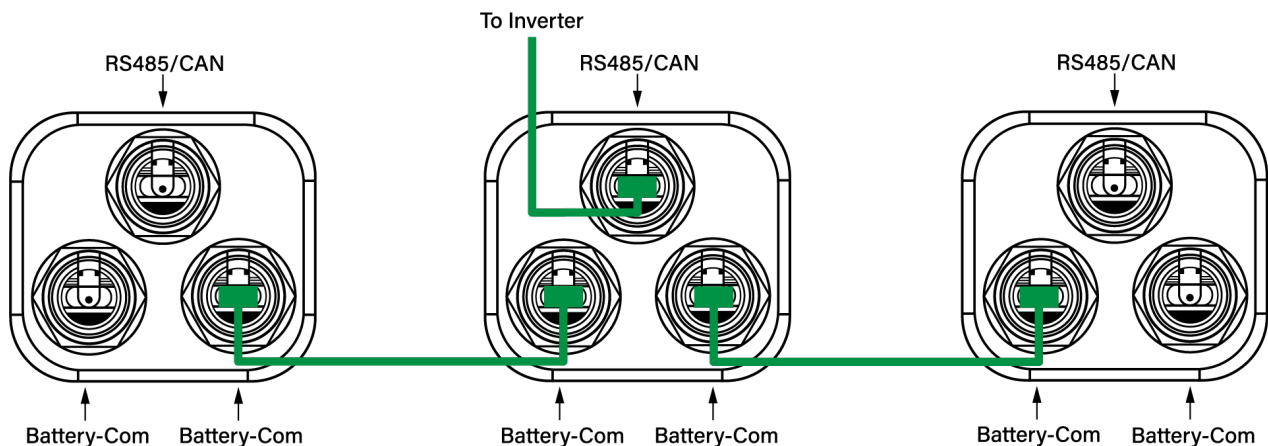


Figure 17 – Battery Communication Ports

4. The battery with DIP Switch ID 1 (referred to as the master) connects to the inverter via a properly pinned communication cable (depending on inverter) using the RS485/CAN port.

5. Install battery paralleling cables between batteries. Refer to [Section 8.2 Battery Cable Connections](#) for battery cable connection diagram examples.
6. Once all cable connections are completed and the system is ready to be commissioned, power on each battery breaker and BMS ON/OFF switch one at a time beginning with the master battery.

8.2 BATTERY CABLE CONNECTIONS

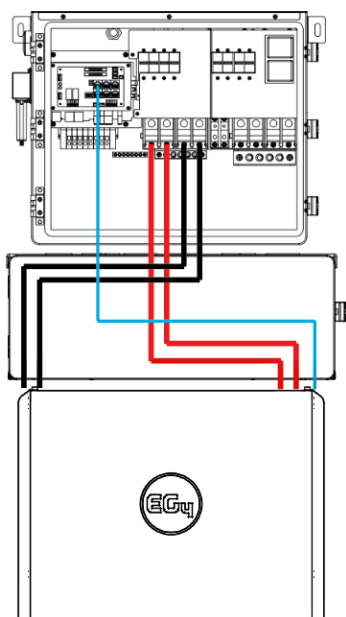
The following battery cable connection diagrams are examples using the internal busbars to parallel the batteries together and attach the inverter(s) to the batteries. When relying on the internal busbars, up to 3 batteries are supported in parallel when connected to a single inverter, 4 batteries in parallel when connected to 2 inverters, or up to 5 batteries in parallel when connected to 3 inverters.

Systems with more batteries than these configurations **require** the use of an external fused positive busbar and an unfused negative busbar rated at a minimum of 200A per battery. Each fuse should be a maximum of 250A. Alternatively, larger systems could rely on the 18kPV's ability to draw from different battery packs while still paralleling inverters rather than utilizing external busbars.

The maximum recommended number of paralleled 18kPV inverters is 6. If this approach is used, we recommend a ratio of 3 batteries per pack controlled by each 18kPV inverter. Separating packs is only recommended if each pack's average SOC is monitored over time and does not diverge by more than 10%. Common busbars are superior to separating battery packs but it may be difficult to source fused positive busbars rated to greater than 1800 Amps. This translates into separating packs larger than 9 batteries. Refer to NEC code and the local AHJ for exact requirements



NOTE: In the following diagrams, units are spaced 6 in. (152.4 mm) apart. Local regulations may require a larger minimum battery spacing. Check with the local AHJ for these requirements. If longer parallel cables than are available in the optional paralleling kit are necessary, please check with the distributor for availability.



Note: To comply with the UL9540 listing for this integrated battery and inverter system, the batteries must be wired as shown using the supplied inverter to battery cables. An additional paralleling kit is required for each additional paralleled battery (sold separately).



Caution: To minimize voltage drop in the wire, the battery cables should maintain optimum length. The 53.1 in. cables from the “parallel kit” are sufficient to daisy chain the batteries.

Figure 18 – (1) 18kPV Inverter with (1) WallMount

8.3 ADDITIONAL CONFIGURATIONS

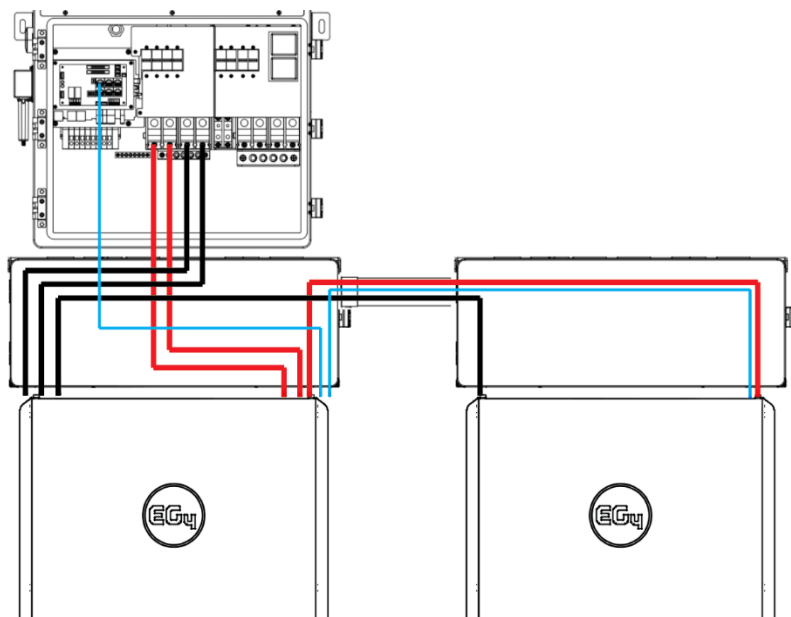


Figure 19 – (1) 18kPV Inverter with (2) WallMount

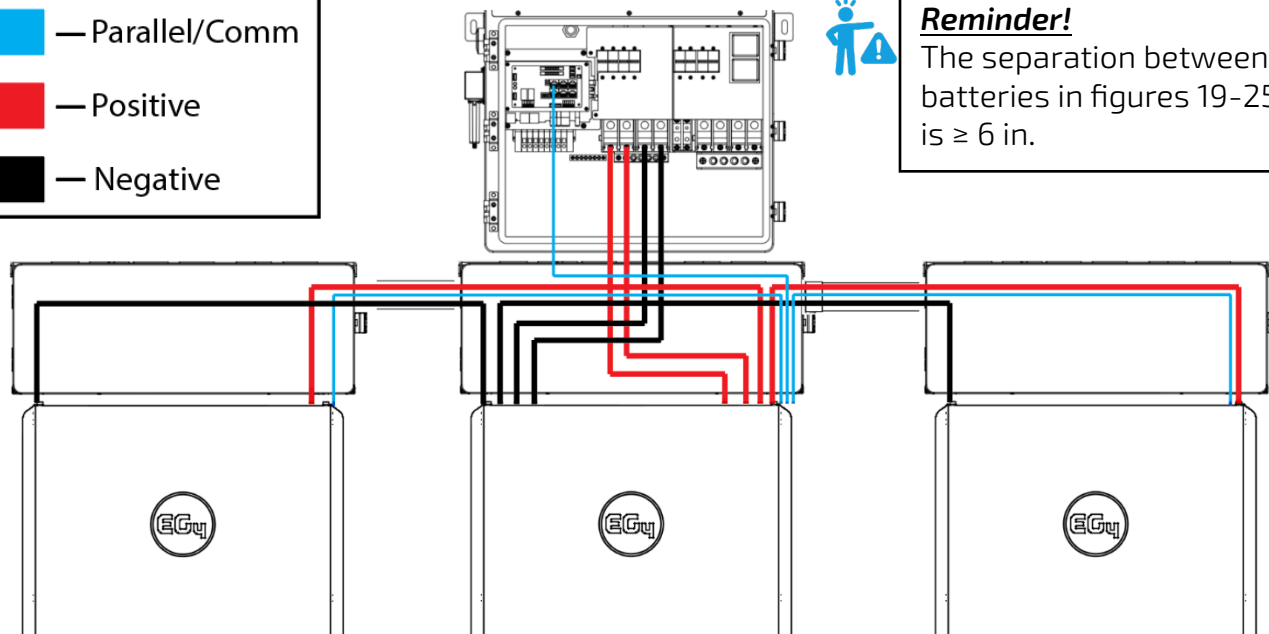


Note: Some configurations require additional wiring/connectors to achieve the example layouts. Inverter to inverter paralleling cables are not shown in the following diagrams. Other configurations can be achieved by using external busbars. Please seek the guidance of an electrician or qualified person for optional system layout.

Pro Tip: One EG4-18kPV and a minimum of 2 WallMount units is the recommended configuration to maximize the system's functionality.

Color Code

	— Parallel/Comm
	— Positive
	— Negative



Reminder! The separation between batteries in figures 19-25 is ≥ 6 in.

Figure 20 – (1) 18kPV Inverter with (3) WallMount

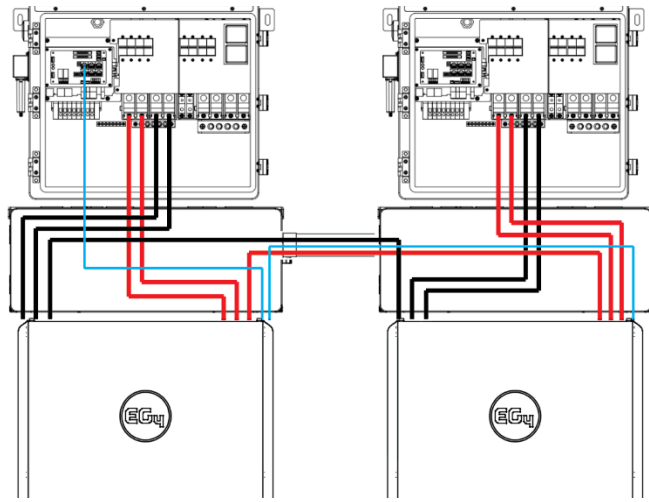


Figure 21 - (2) 18kPV Inverter with (2) WallMount

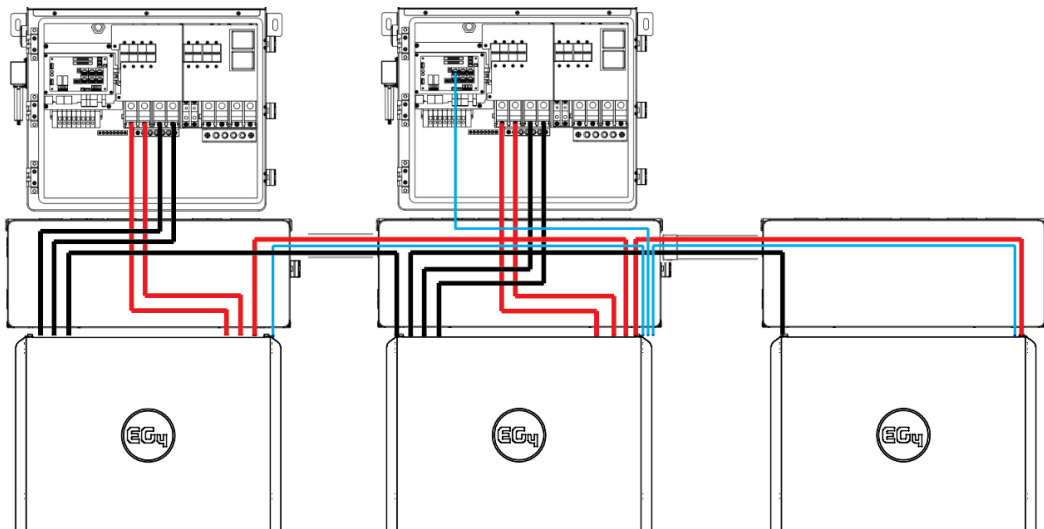


Figure 22 - (2) 18kPV Inverter with (3) WallMount

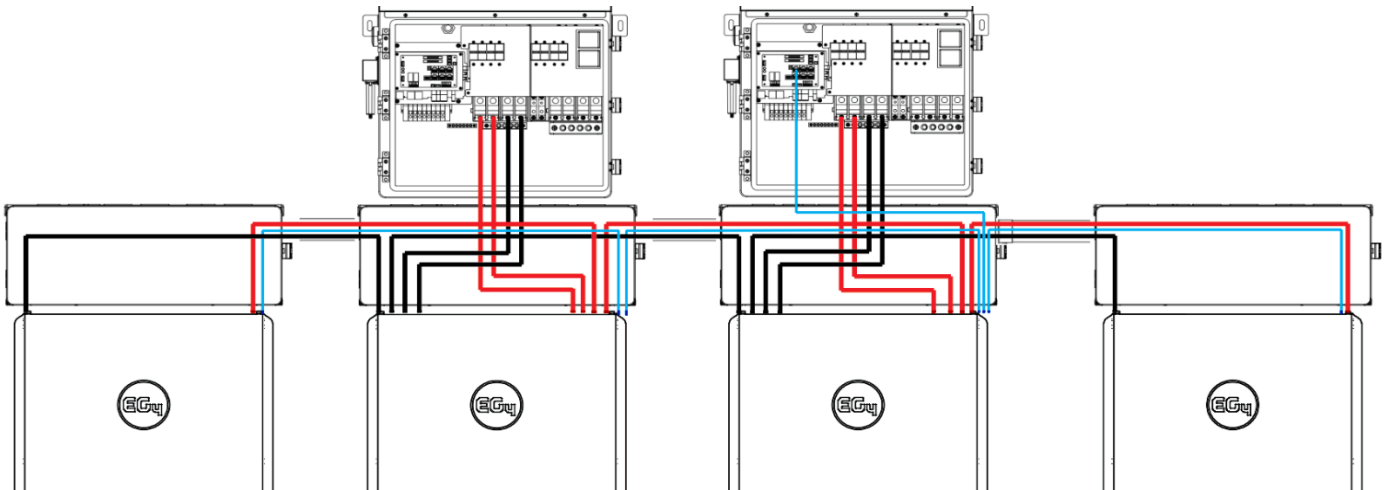


Figure 23 - (2) 18kPV Inverter with (4) WallMount

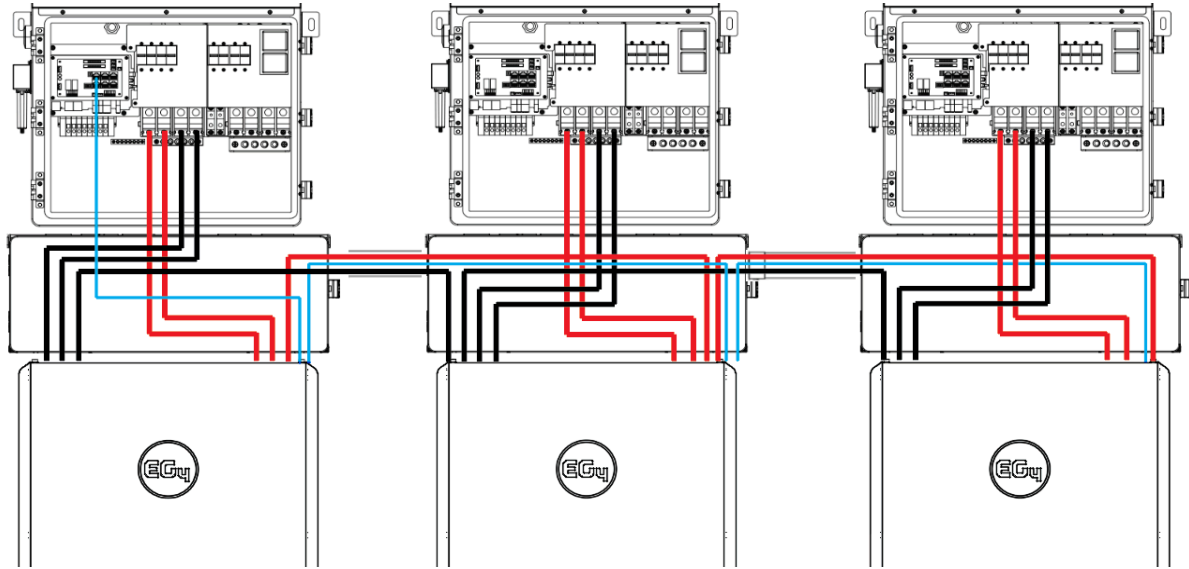


Figure 24 – (3) 18kPV Inverter with (3) WallMount

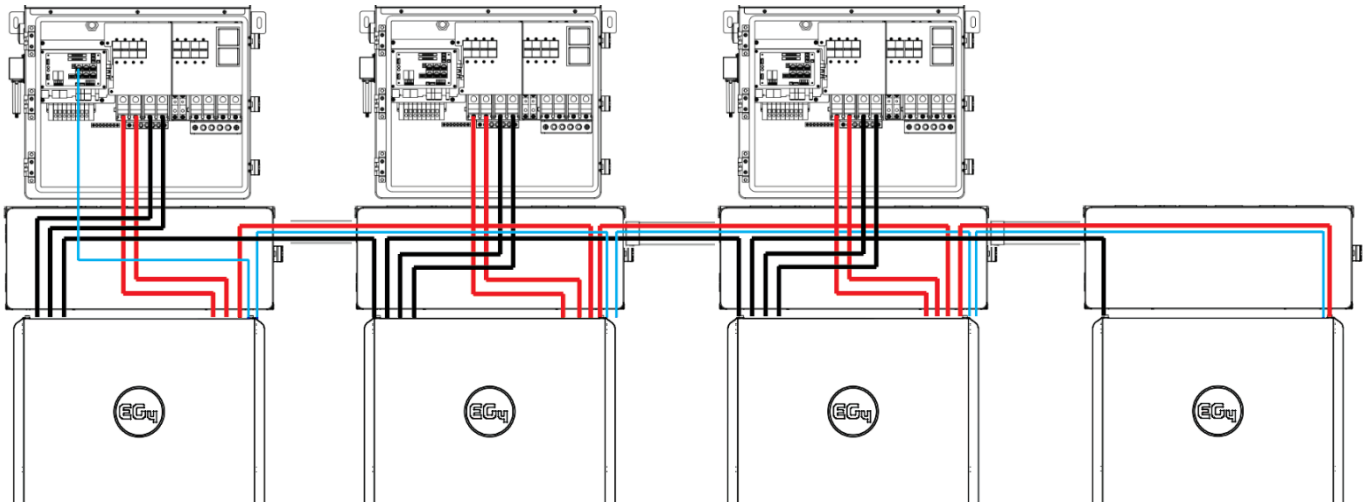
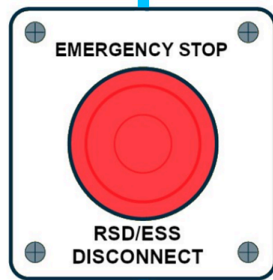
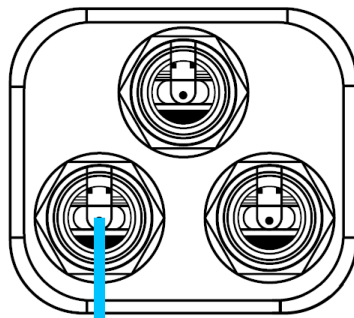


Figure 25 – (3) 18kPV Inverter with (4) WallMount

9. EMERGENCY STOP (RSD, ESS DISCONNECT)



To inverter, RSD Initiator, or ESS Disconnect
(Inverter recommended if compatible with inverter's RSD system)
Normally Open (NO) or Normally Closed (NC) contacts depending on inverter

Figure 26 – Emergency Stop

The optional ESS disconnect can be used to shut down all batteries and inverters (if equipped) with the push of a button.

When paralleling multiple batteries, the ESS disconnect only needs to have connections made with the master battery.

This integrated safety feature ties directly into the battery communication system via an open Battery-Com port using a standard Cat-5/6 ethernet cable.

Pins 3 & 6 are used to communicate the emergency stop information to the batteries once the stop button is pressed.

If the inverter is equipped with rapid shut down (RSD) capabilities, the emergency stop feature can be used to initiate this function. Check with the local AHJ and NEC code for compliance.

10. BATTERY COMMUNICATIONS

Each EG4 battery is designed with the end-user in mind, displaying as much information as possible in the simplest manner. EG4 Electronics includes the option of connecting the battery to PC software to monitor the module status. This allows the user to see and understand exactly what the battery is doing as well as troubleshoot if problems arise.

Note: The master battery will communicate directly with the system via the RS485/CAN port.

10.1 DIP SWITCH ID TABLE

EG4 batteries interface with an inverter by designating a “Master” battery (DIP switch ID No. 1). The available ID codes range from 1–64. The battery will connect directly to the inverter via a RS485 battery communications cable or a standard CAT 5, 5e, or 6 cable for closed loop communications with supported non-EG4 inverters using CAN bus protocol.



REMINDER

If paralleling multiple batteries, all DIP switch settings **must** be different from each other. This allows all equipment to see each battery in the bank separately. For best practice, place IDs in sequence starting with ID 1 as the master battery.

ID:1	ID:2	ID:3	ID:4	ID:5	ID:6	ID:7	ID:8
ID:9	ID:10	ID:11	ID:12	ID:13	ID:14	ID:15	ID:16
ID:17	ID:18	ID:19	ID:20	ID:21	ID:22	ID:23	ID:24
ID:25	ID:26	ID:27	ID:28	ID:29	ID:30	ID:31	ID:32
ID:33	ID:34	ID:35	ID:36	ID:37	ID:38	ID:39	ID:40
ID:41	ID:42	ID:43	ID:44	ID:45	ID:46	ID:47	ID:48
ID:49	ID:50	ID:51	ID:52	ID:53	ID:54	ID:55	ID:56
ID:57	ID:58	ID:59	ID:60	ID:61	ID:62	ID:63	ID:64

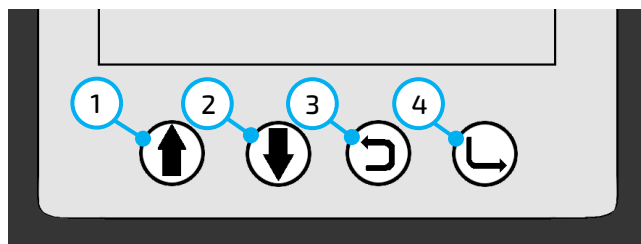
Figure 27 – Dipswitch ID Table

10.2 LCD SCREEN

Each module has a built-in HD LCD touch screen used to display important information about the cells including voltage, current, temperature, SOC, among others.

Button Description

There are 4 function buttons below the display with detailed descriptions, as shown in the table below.



Number	Description
1	Up
2	Down
3	Return
4	Enter

Figure 28 – LCD Button Description

Waking up the LCD screen

Press any key to wake up the screen when the power is on, and the information will be shown on the display.

Number	Description
1	Battery Name
2	Status
3	Voltage
4	Current
5	System Date & Time
6	State of Charge

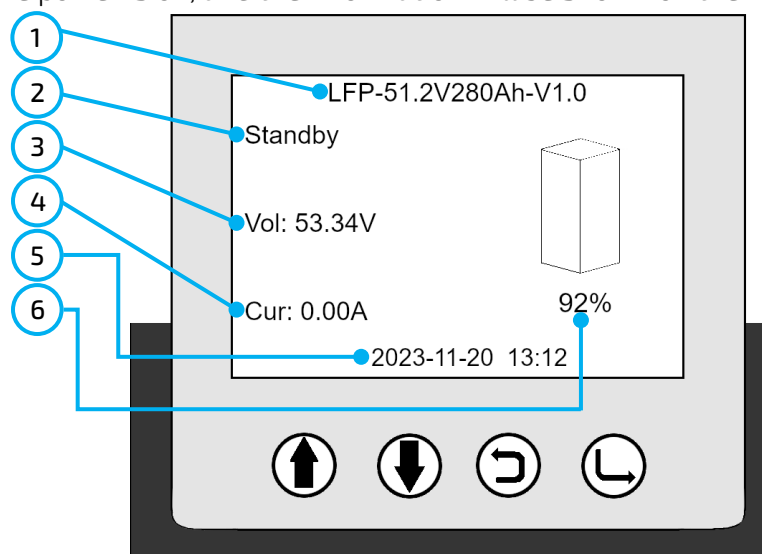


Figure 29 – LCD Screen Features

Press “Enter” on the Cell Voltage page to view the temperature information of the PCB and individual cells (shown in °C)

Temperature			
PCB Temp: 32°C			
Cell Temp:			
31°C	31°C	31°C	30°C

Figure 30 – Battery Temperature Information

10.3 COMMUNICATION PROTOCOL SELECTION



IMPORTANT: Only the master battery (Address 1) should be set to the inverter protocol; all other batteries must have unique addresses starting at address 2 and ascending in chronological order.

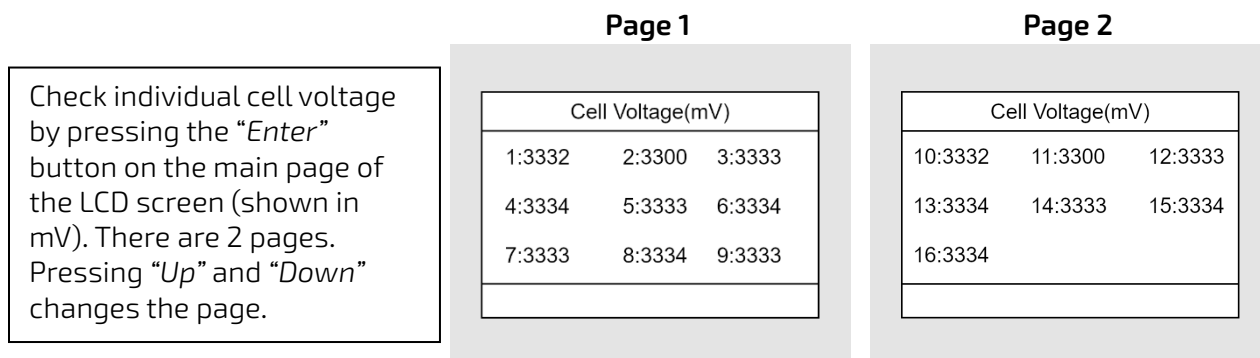


Figure 31 – Battery Cell Information

Protocol Change/Selection Procedure

1. Power off all battery DC breakers and BMS power buttons.
2. The inverter protocol can only be changed with the master battery temporarily set to address 64 (all switches ON. After the dipswitch is changed, restart the battery (with only the BMS power button) for the settings to take effect. (See image on right.)
3. On the master battery, press and hold the “Return” key for 5 seconds and release to enter the “Protocol Setting” menu.



4. Select the corresponding RS485 program or CAN program, and press Enter.

RS485 Protocol - P01

P01-EG4
P02-GRW
P03-LUX
P04-SCH


CAN Protocol - P01

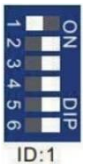
EG4/LUX
P02-GRW
P03-SLK
P04-DY
P05-MGR
P06-VCT
P07-LUX
P08-SMA

Protocol #	Manufacturer
P01-EG4	EG4
P02-GRW	Growatt
P03-LUX	Luxpower
P04-SCH	Schneider

Protocol #	Manufacturer
P01-EG4/LUX	EG4/LUX
P02-GRW	Growatt
P03-SLK	Sol-Ark
P04-DY	Deye
P05-MGR	Megarevo
P06-VCT	Victron
P07-LUX	Luxpower
P08-SMA	SMA

Figure 32 – Battery Protocol Selection

5. Press the “Return”  key to return to the main interface.
6. Change the master DIP switch address back to address 1. (See image on right.)
7. Power cycle the master battery, and the BMS will correspond to the protocol selected.



“About” Screen

When single-tapping the battery’s return key, the “About” page will populate. Here the user can check which Inverter protocol the battery is set to, BMS version numbers, and Firmware version numbers.
See image to the right for an example.

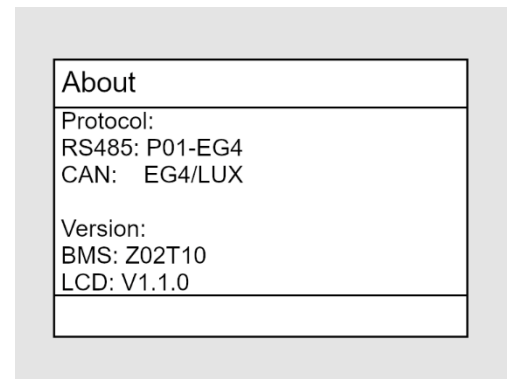


Figure 33 – “About” Display

11. OPERATION GUIDE

11.1 BATTERY STARTUP AND SHUTDOWN PROCEDURE

The battery comes with pre-charged resistors which promote a specific sequence of events to provide power to the inverter. Pre-charged resistors are essential in high voltage systems to help reduce the in-rush current the inverter will request from the batteries upon startup.

Startup

After all physical connections are made and the inverter is ready to accept battery power, follow the steps listed below:

1. Close (turn on) the battery's circuit breaker.
2. Wait ~5 seconds, then turn on the battery's BMS via the power button on the side of the unit.



NOTE:

When using multiple batteries in parallel, repeat the steps listed above per battery, always starting with the master.

Shutdown

1. Power off the battery's BMS via the power button on the side of the unit.
2. Open (turn off) the battery's circuit breaker.



NOTE:

When using multiple batteries in parallel, repeat the steps listed above per battery, always starting with the master.

11.2 BMS TOOLS INSTALLATION AND INTERFACING

The PC software “*BMS Tools*” provides real-time battery analysis and diagnostics. The battery cannot communicate with BMS Tools and a closed loop inverter at the same time. The steps outlined below will walk through the initial set up of BMS Tools.

1. Using an RS-485 (RJ45 Pins 1-B, 2-A) to USB-A cable, connect to the RS-485 port of the battery and then to a USB-A port on a Windows computer.
2. Set the battery's dipswitch to ID: 64. (all dips ON)
3. Power on the battery pack using the circuit breaker on the side of the unit, follow by pressing the BMS power button ~5 seconds after the breaker is closed.



NOTE:

To create the read/write cable, make sure to use a USB-A to RS485 converter adapter and CAT5e (or higher) cable. Connect pins 1 and 2 from the RJ45 connector, matching B to pin 1 and A to pin 2 on the converter adapter. Alternatively, the read/write cable is also available for purchase from the distributor.

4. Confirm the RS485 cable's COM is set correctly in the BMS Tools program. Refer to the Device Manager on the PC for more information.

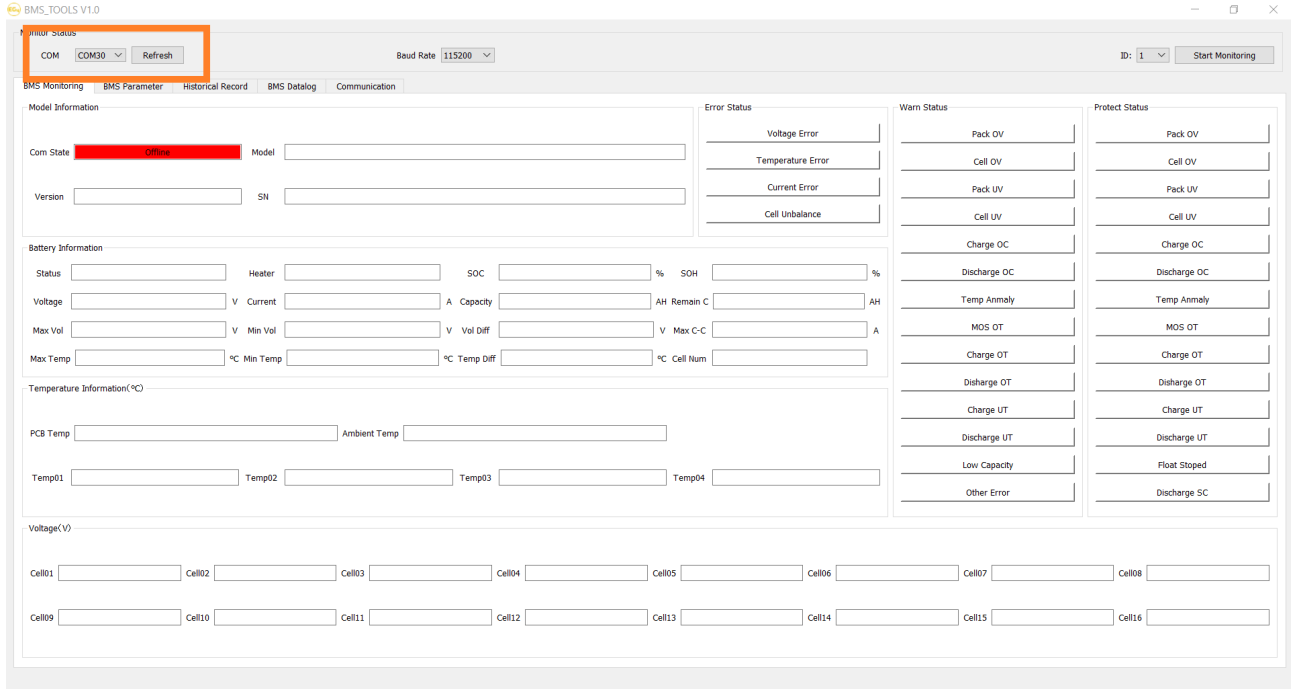


Figure 34 – BMS Tools Comm Selection

5. Change the Baud Rate to 9600.

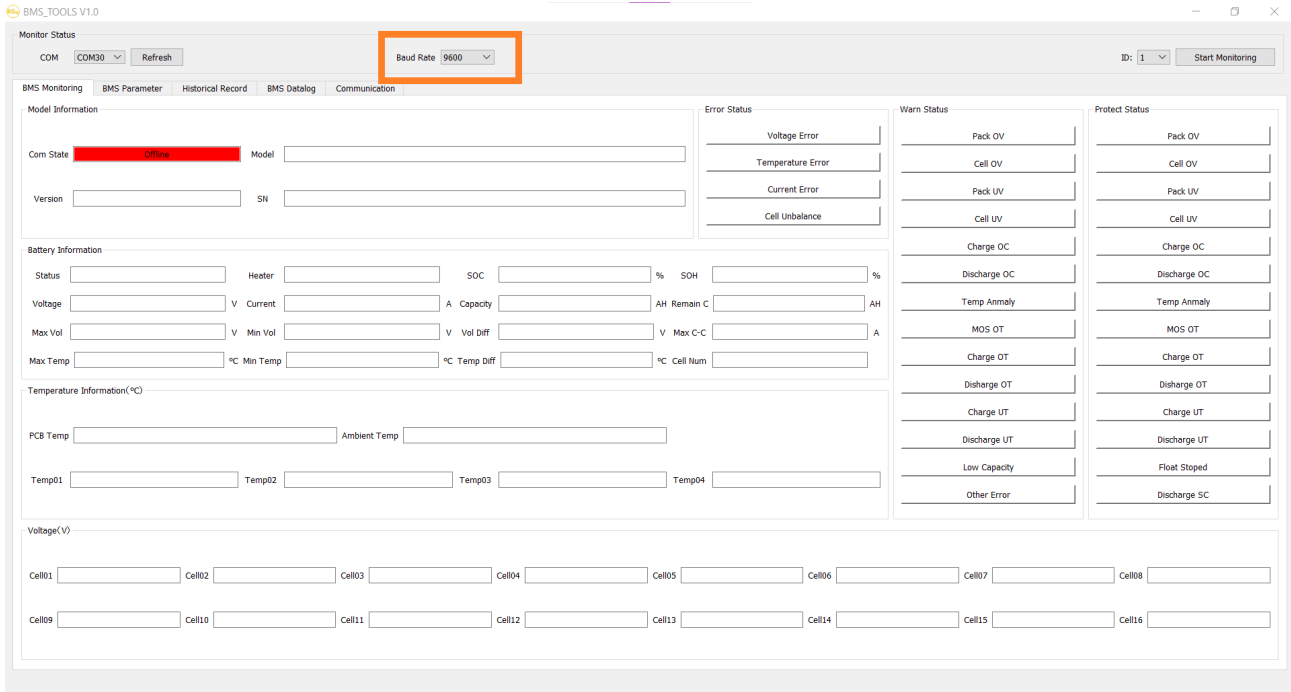


Figure 35 – BMS Tools Baud Rate

6. Change the “ID” to 64.

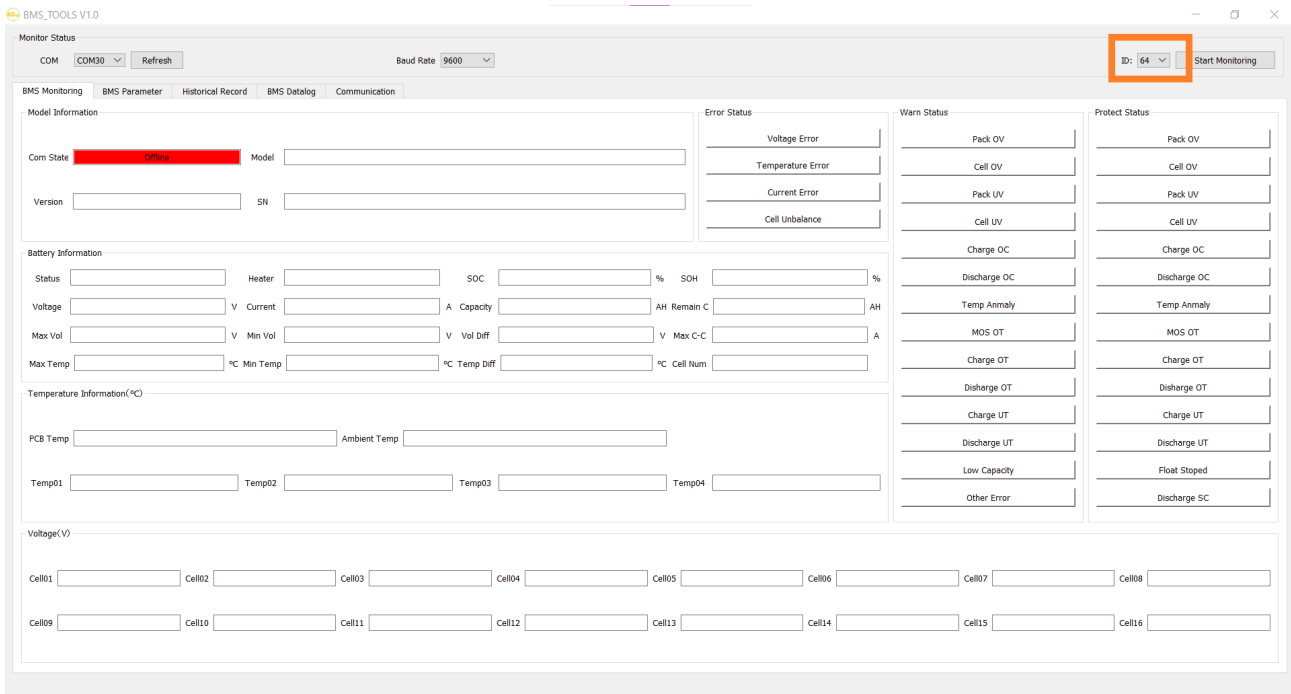


Figure 36 – BMS Tools ID Selection

7. Select, “Start Monitoring”.

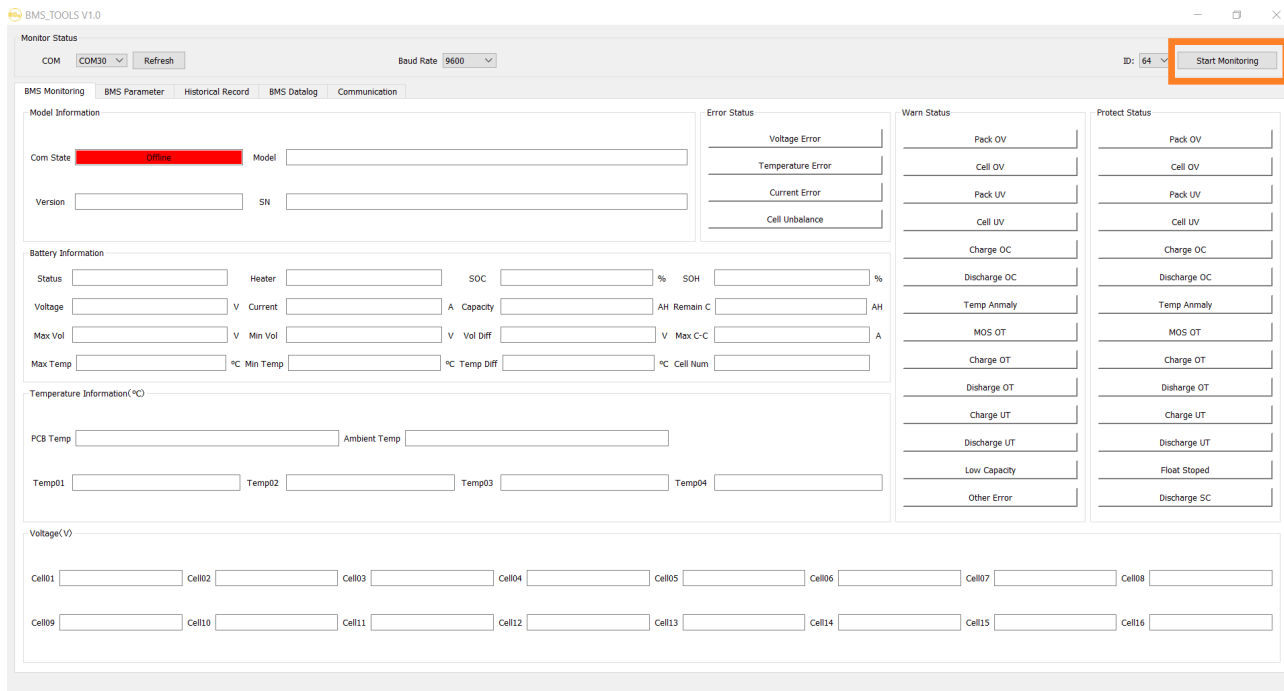


Figure 37 – BMS Tools Monitoring Initiation

8. The “Com State” will now change from “Offline” to “Connected.” The system will now monitor the battery’s values in real time.

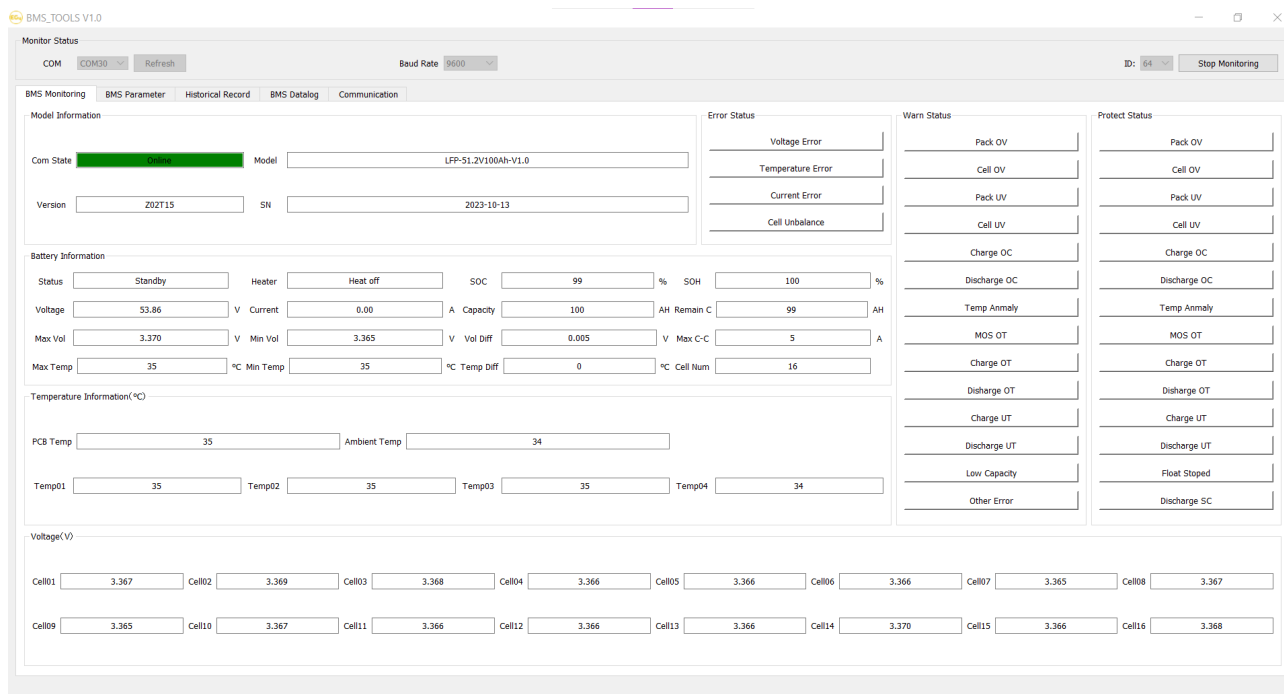


Figure 38 – BMS Tools Real-Time Monitoring

12. BATTERY CHARGING

Charge cycle

Ensure the proper settings are set on the charge controller and/or inverter being used to avoid overcharging or damaging the module. (Refer to [Section 1: Technical Specifications Table](#) for a full list of charging/discharging parameters.)



IMPORTANT

It is normal for LFP batteries that have their own internal BMS and that are wired in parallel to demonstrate a wide variety of SOC readings during any given charge or discharge cycle.

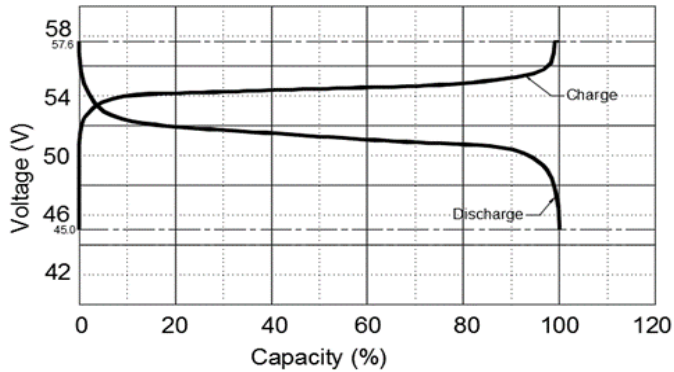
Variations of up to 10% are common. This is not cause for concern or indication that the module is providing less than the maximum capacity. This is caused by even slight variations in wiring resistance to each battery, internal resistance, temperature differences, and even variations in each cell. Even a slight variation causes one battery to take more of the load or charge for a short time. Over the duration of the discharge or charge cycle, this will balance out with the lagging battery then taking the load or charge at the other end of the cycle resulting in recovering the full listed kWh capacity of the pack. The voltage differences created as batteries diverge in SOC will eventually cause them to converge at some point in the cycle.



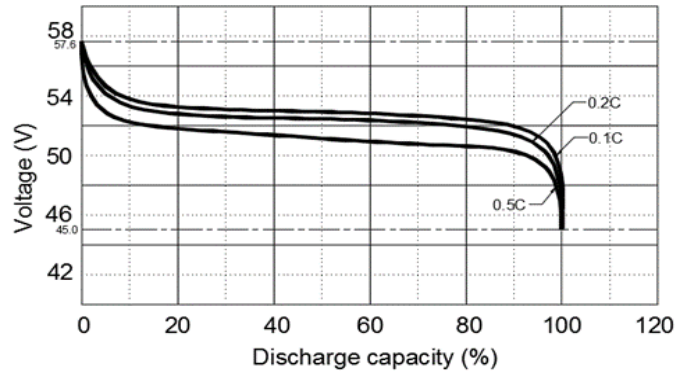
NOTE: When installing multiple batteries or adding a battery to an existing rack, please ensure all batteries are charged to 100% before paralleling together. This step is crucial to optimize battery performance and ensure proper operation.

12.1 BATTERY PERFORMANCE CURVES

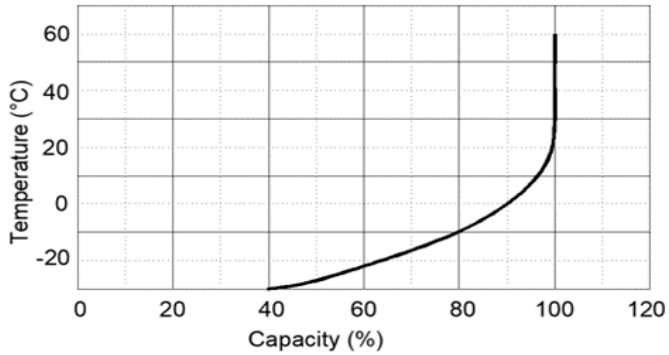
Charge & Discharge curve with 0.5C @ 25°C



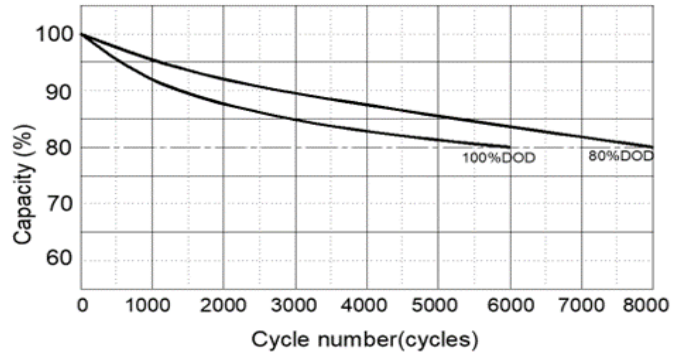
Discharge performance with different rate @ 25°C



Discharge capacity with different temperature @ 0.5C



Cycle life with DOD @ 0.5C, 25°C



Self-discharge @ different temperature

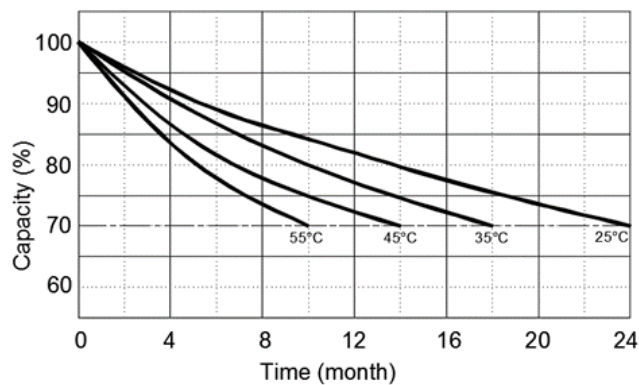


Figure 39 – Lithium Battery Performance Curves

Recommended Charge Current Settings for Paralleled Batteries on Paralleled 18kPVs

# of 18kPV	Rec. Max. Charge Current (230A per inverter)	(1) Battery Inverter Setting – Amps per Battery	(2) Batteries Inverter Setting – Amps per Battery	(3) Batteries Inverter Setting – Amps per Battery	(4) Batteries Inverter Setting – Amps per Battery
1	230A	160 – 160A	230 – 160A	230 – 77A	230 – 58A
2	460A	80 – 160A	160 – 160A	230 – 153A	230 – 115A
3	690A	53 – 159A	107 – 160A	160 – 160A	213 – 160A

Please note that if the battery firmware is updated to allow 200A maximum charge, the internal thermal sensors will throttle the charge current to what the BMS deems necessary to prevent overheating.

13. TROUBLESHOOTING, MAINTENANCE & DISPOSAL

13.1 INTRODUCTION TO THE BMS

The BMS (Battery Management System) is intended to safeguard the battery and battery cells against a variety of situations that could damage or destroy system components. This protection also aids in keeping the battery and battery cells operational for a greater number of life cycles. Each EG4 battery is specifically configured to ensure peak performance and operation with any system.

13.2 BMS PROTECTION

PCB temperature protection

The BMS will ensure that the Printed Circuit Board (PCB) does not overheat. This is the component that houses most of the “brains” of the battery. This feature will turn off the battery if it begins to overheat.

Cell balance protection

Cell balance ensures that each cell is within a specific voltage range of each other. Cell balance is crucial for ensuring that the battery is operating properly for its lifespan. This is always done automatically.

Environmental temperature protection

It may be dangerous to attempt using the battery in extreme heat or cold. Continued operation in these conditions may result in permanent damage to the battery module and its components. To prevent this, the BMS is designed to measure the temperature while charging/discharging and will shut down the battery to prevent damage.

Voltage protection

The BMS is designed to continuously monitor the voltage of each individual cell and ensure that they are not over/undercharged.

Current protection

The BMS is designed to constantly monitor the charge/discharge amperage and has built-in safeguards against exceeding specific parameters. These include built-in timers that shut off quickly in the event of short circuits, extremely high amperage and delayed shut down for amperage that is only slightly above the maximum capacity.

13.3 TROUBLESHOOTING

Alarm Description and Troubleshooting

When the ALM light on the battery control panel is on, it means that the battery has given an alarm or has been protected from potential damage. Please check the cause of the failure through the app or BMS Tools and take appropriate measures or go directly to the battery site to troubleshoot.

BMS Tools alarms are shown in the table below:

Warning and protect status definitions

STATUS	NAME	DEFINITION	ACTION
Warning/ Protect	Pack OV	Pack over-voltage	Module needs to be discharged to lower its voltage.
	Cell OV	Cell over-voltage	Check individual cell voltage in BMS Tools.
	Pack UV	Pack under-voltage	Module needs to be charged.
	Cell UV	Cell under-voltage	Check individual cell voltage in BMS Tools.
	Charge OC	Charge over-current	Incoming current needs to be reduced.
	Discharge OC	Discharge over-current	Discharge current is too high; lower loads.
	Temp Anomaly	Temperature anomaly	Check ambient and module temperature.
	MOS OT	MOSFET over-temperature	BMS temperature is too high. Power off module and cool down location.
	Charge OT	Charge over-temperature	Power off module and cool down location.
	Discharge OT	Discharge over-temperature	Power off module and cool down location.
	Charge UT	Charge under-temperature	Power off module and warm up location.
	Discharge UT	Discharge under temperature	Power off module and warm up location.
Warning	Low Capacity	Low battery capacity	Module needs to be charged.
Warning	Other Error	Error not listed	Contact the distributor
Protect	Float Stopped	Float Stopped	Contact the distributor
Protect	Discharge SC	Discharge short circuit	Discharge current is too high, turn BMS and breaker off and back on to reset. Lower loads



NOTE: The “Historical Record” tab can indicate what occurred with the module before entering a warning or protection state. It is recommended to export this data into a text (.txt) file to provide to the distributor for any additional troubleshooting assistance.

Other common faults and solutions



NOTE: If any of the warnings or faults from both tables persist, please contact the distributor for additional troubleshooting steps.

Fault	Analysis	Action
Inverter communication failure	Check communication port connection, and battery ID setting.	Input proper "host" battery DIP switch address, and power cycle the battery.
No DC output	Open breaker, or battery voltage is too low.	Check battery breaker or charge the battery.
Power supply unstable	Battery capacity is not at full power.	Check for proper battery cable connection.
Battery cannot be charged fully	DC output voltage is below the minimum charge voltage.	Check the charging settings on the inverter to ensure they match battery requirements.
ALM LED always on	Short circuit	Disconnect the power cable and check all cables.
The battery output voltage is unstable.	Battery management system does not operate normally.	Press the reset button to reset the battery, then reboot the system.
ALM LED flashes 20 times with SOC1 LED on.	Unbalanced voltage within a cell	Deep discharge the battery bank (<20% SOC), then charge battery bank fully.
ALM LED flashes 20 times with SOC2 LED on.	Unbalanced temperature	Contact the distributor.
ALM LED flashes 20 times with SOC 3/4 LED on.	BMS damaged	Contact the distributor.
Different SOC value of batteries in parallel operation.	No issue	Deep discharge the battery bank (<20% SOC), then charge battery bank fully.
Low voltage protection with no LED on	BMS is in low voltage protection, and is in sleep mode	Contact the distributor.
Deeply discharged with "RUN" LED on	The battery voltage is too low to start BMS.	Contact the distributor.

13.4 BATTERY END OF LIFE

The EG4 48V battery is designed to last for *more than 15 years* when used correctly. We have worked tirelessly to ensure that our batteries will maintain a charge after thousands of cycles. However, when it does come time to retire the battery, there are a few things to consider.

Lithium iron phosphate batteries are considered a hazardous material and should not be disposed of by simply placing them in the trash. There are several websites and organizations that will accept this battery to recycle at little to no cost to the user. At EG4, we understand that we are working with customers across the United States and the world. Our recommendation is to go online and search the term “Lithium Battery Disposal Near Me.” There will likely be an assortment of organizations that can safely dispose of LFP batteries.

We recommend calling ahead of time to ensure that the location is still open and accepting material.

If users are unable to locate a disposal location safely, EG4 is here to help. Before dumping the battery or disposing of it incorrectly, please contact our customer service team for assistance.

14. WARRANTY INFORMATION

For information regarding warranty registration on EG4® Electronics products, please navigate to <https://eg4electronics.com/warranty/> and select the corresponding product to begin the registration process.

15. STORAGE

Please follow these instructions for the safe storage of the unit to maintain the longevity of the battery, if choosing not to install the product immediately after purchasing or unpacking the box.

There are a few steps that can be taken to ensure that batteries are stored safely and in a state that will ensure they are not damaged during storage. The steps are detailed below.

Battery State

The state of the battery when placed into storage will affect how long it can be stored, as well as the battery’s condition when it is brought out of storage. EG4® recommends that each battery is brought to a 50% SOC (state of charge) before placing it in storage. Lithium batteries will lose a certain percentage of their total charge while in storage, depending on how long they are stored and the conditions they are stored in. We recommend recharging the batteries after 8 – 9 months in prolonged storage.

Environmental Factors

The environment the battery is stored in can greatly affect the health of the battery. **For best results,** the temperature should range between 33°F and 90°F (0.6°C and 32°C). Mount the battery in a location where it is not exposed to direct rain or standing water. Keep the battery **away from direct sunlight**. Store the batteries away from combustible materials.

16. CHANGELOG

Version 1.6.3

- Corrected minor typos

Version 1.6.2

- Modified installation verbiage and image in section 7.8 to include FlexBOSS18 & 21
- Modified section 7 to better describe installation location requirements.

Version 1.6.1

- Modified installation verbiage in section 7 for clarity
- Modified dimensions in spec sheet to include side panels

Version 1.6.0

- Added additional surge value for battery discharge, 200A for 30 minutes

Version 1.5.9

- Added section 11.1 for battery startup and shutdown procedure

Version 1.5.8

- Added additional callouts on measurements for battery bracket
- Corrected minor typos within document

Version 1.5.7

- Added additional clarity about x-bracket overview section
- Added additional 12kPV install section 7.6

Version 1.5.6

- Added x-bracket overview section

Version 1.5.5

- Added operating altitude into environmental parameters

Version 1.5.4

- Added French safety section
- Added Important quick-part to section 7 covering minimum installation volume

Version 1.5.3

- Modified the dimensions of the unit
- Modified Max. Continuous charging current from 200A to 140A
- Modified Max. Continuous discharging current from 200A to 140A
- Modified recommended discharging current from 160A to 60 – 140A
- Modified temperature range for charge range, discharge range, and storage range
- Modified short circuit spec from 2000A to >600A
- Modified short circuit delay from 0.1 ms to <0.1 ms

Version 1.5.2

- Added new spacing requirements from 12 in. to 6 in.
- Added note to section 10 about read/write cable
- Added operating altitude range to spec sheet

Version 1.5.1

- Modified warranty information in section 13



CONTACT US

support@eg4electronics.com

(903) 609-1988

www.eg4electronics.com