

EG4[®] INDOOR BUILDABLE CONDUIT BOX

INSTALL GUIDE



TABLE OF CONTENTS

1.	ABBREVIATIONS.....	1
2.	BRIEF DESCRIPTION.....	2
3.	PACKING LIST.....	2
4.	TOOLS NEEDED	2
5.	CONDUIT BOX SCHEMATICS.....	3
5.1	EXTERIOR DIMENSIONS	3
5.2	KNOCKOUT DIMENSIONS.....	4
6.	CONDUIT BOX ASSEMBLY	6

1. ABBREVIATIONS

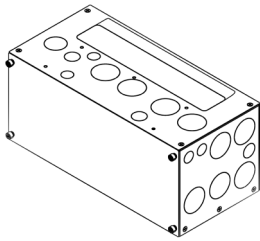
- AWG – American Wire Gauge
- A – Amps
- Ah – Amp hour(s)
- AC – Alternating Current
- AFCI – Arc-Fault Circuit Interrupter
- AHJ – Authority Having Jurisdiction
- kAIC – kilo-Amp Interrupting Capability
- ANSI – American National Standards Institute
- BAT – Battery
- BMS – Battery Management System
- COM – Communication
- CT – Current Transformer
- DC – Direct Current
- DIP – Dual In-line Package
- DOD – Depth of Discharge
- EG – Equipment Ground
- EGS – Equipment Grounding System
- EMC – Electromagnetic Compatibility
- EPS – Emergency Power System
- ESS – Energy Storage System
- E-Stop – Emergency Stop
- FCC – Federal Communication Commission
- GE – Grounding Electrode
- GEC – Grounding Electrode Conductor
- GFCI – Ground Fault Circuit Interrupter
- GFDI – Ground Fault Detector/Interrupter
- Imp – Maximum Power Point Current
- IEEE – Institute of Electrical and Electronic Engineers
- IP – Ingress Protection
- I_{sc} – Short-Circuit Current
- In-lbs. – Inch Pounds
- kW – Kilowatt
- kWh – Kilowatt-hour
- LCD – Liquid Crystal Display
- LFP – Lithium Iron Phosphate
- L1 – Line 1
- L2 – Line 2
- mm – Millimeters
- MPPT – Maximum Power Point Tracking
- mV – Millivolt
- N – Neutral
- NEC – National Electric Code
- NEMA – National Electrical Manufacturers Association
- NFPA – National Fire Prevention Association
- Nm – Newton Meters
- NOCT – Normal Operating Cell Temperature
- PC – Personal Computer
- PCB – Printed Circuit Board
- PE – Protective Earth
- PPE – Personal Protective Equipment
- PV – Photovoltaic
- RSD – Rapid Shut Down
- SCC – Standards Council of Canada
- SOC – State of Charge
- STC – Standard Testing Conditions
- UL – Underwriters Laboratories
- UPS – Uninterrupted Power Supply
- V – Volts
- VOC – Open-Circuit Voltage
- VMP – Voltage Maximum Power

2. BRIEF DESCRIPTION

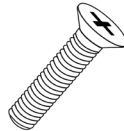
The EG4® Indoor Buildable Conduit Box allows users a simple and effective way to protect cables and connections between battery and inverter. The conduit box is designed to pair the EG4 WallMount Indoor 280Ah battery with the EG4 FlexBOSS18, FlexBOSS21, 18kPV, 12kPV, 6000XP, or 12000XP inverters.

3. PACKING LIST

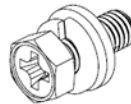
The items listed below will arrive with the product shipment:



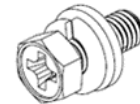
Disassembled Indoor Buildable Conduit Box (6 pcs)
Total Weight: 14.70 lbs. (6.66 kg)



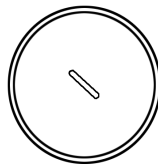
M6 x 1.0 Phillips Flat Head Screw (x10)



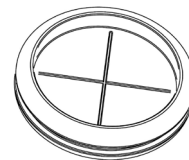
M6 x 1.0 Phillips Hex Head Screw w/ Washer set (x4)



M6 x 1.0 Phillips Hex Head Screw w/ Washer set (x4) (for battery mounting)



Rotating Cover	
GLW-M63	Qty 4
GLW-M50	Qty 1
GLW-G 1	Qty 2
GLW-PG21	Qty 2



Grommets	
RSB-28	Qty 2
RSB-35	Qty 2
RSB-50	Qty 1
RSB-63	Qty 4

4. TOOLS NEEDED



Phillips head screwdriver



10 mm socket and ratchet

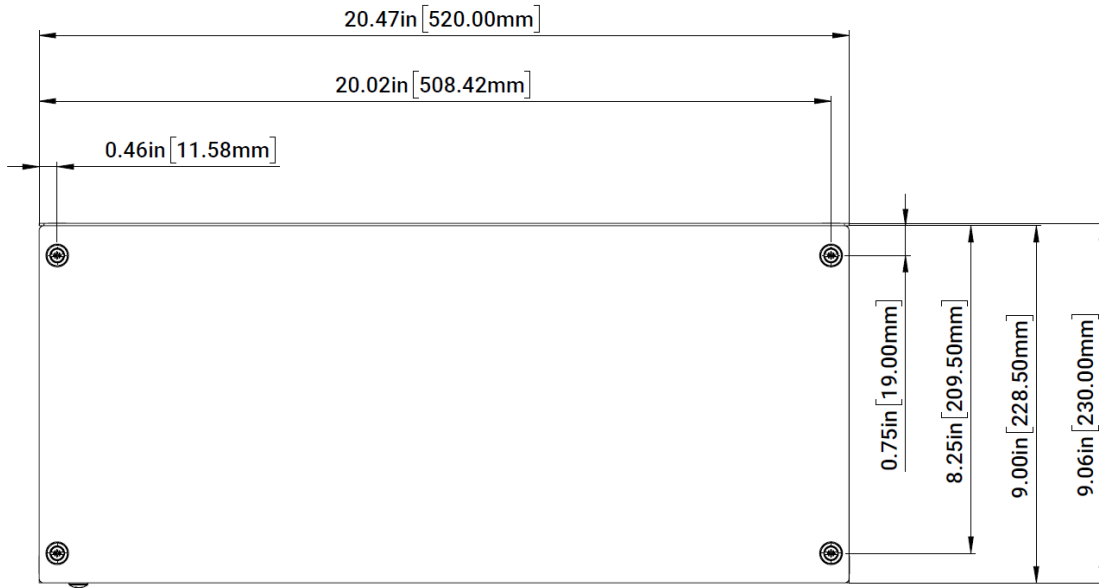


Anti-static/cut-resistant gloves

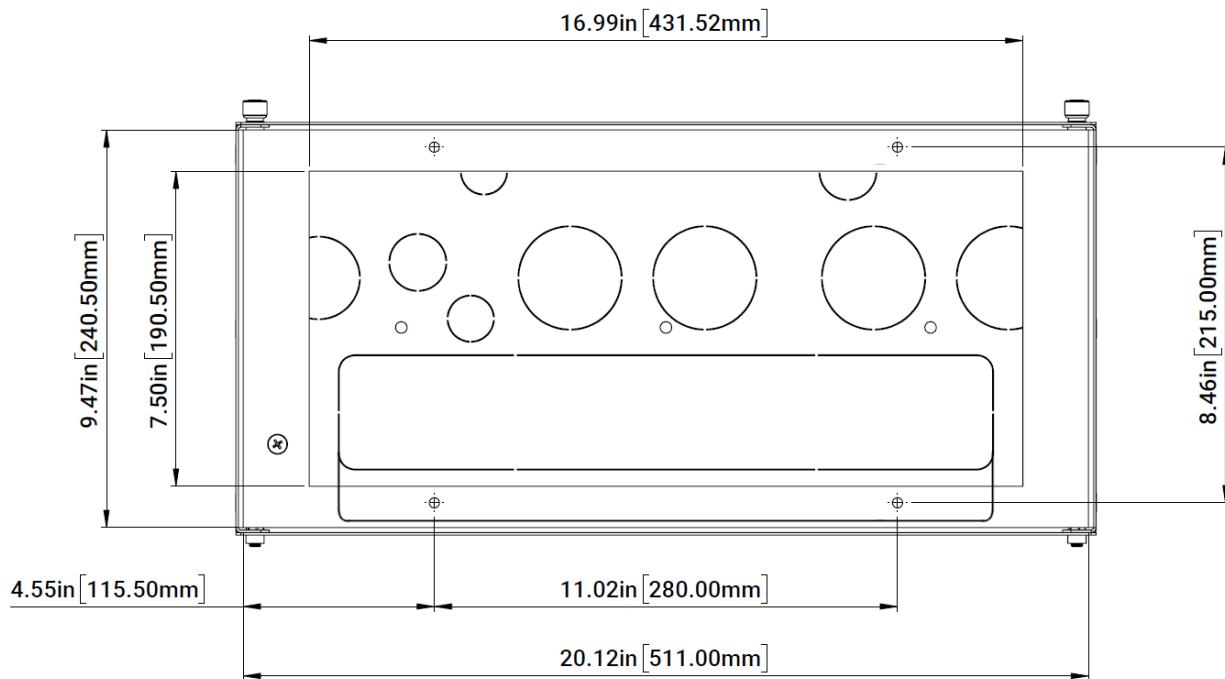
5. CONDUIT BOX SCHEMATICS

5.1 EXTERIOR DIMENSIONS

Front View

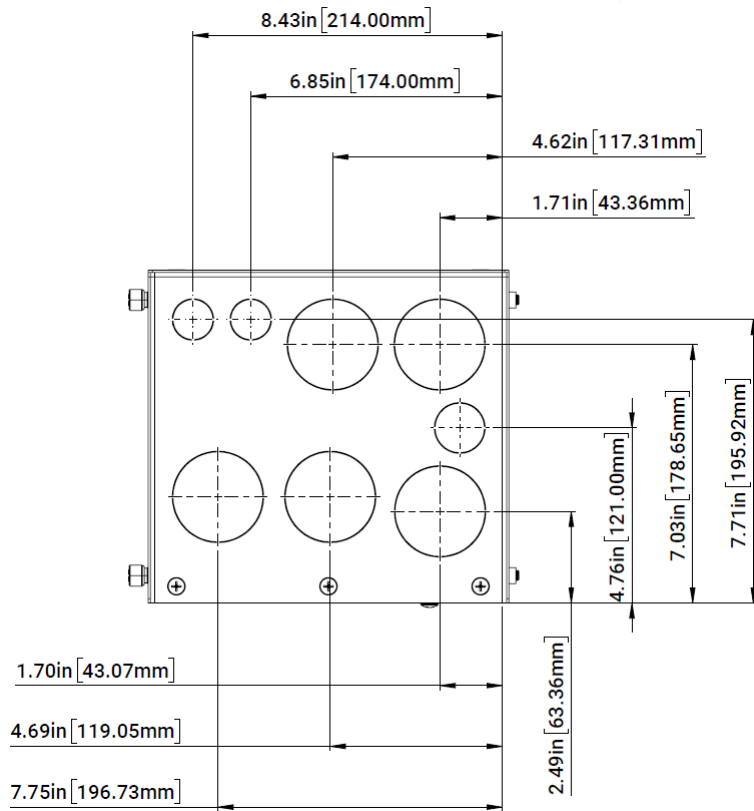


Top View

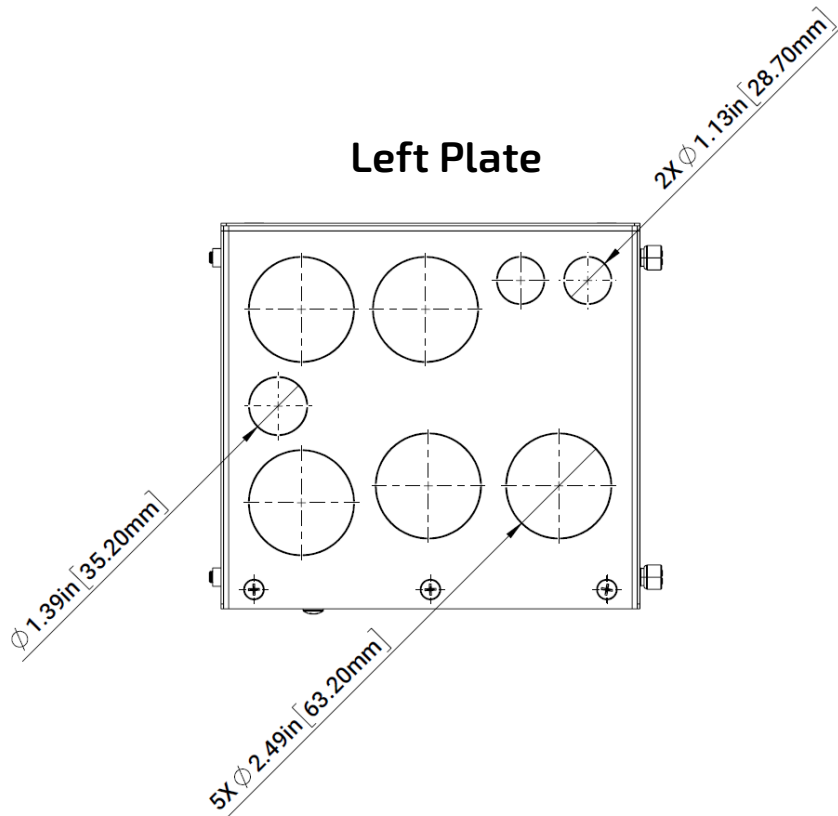


5.2 KNOCKOUT DIMENSIONS

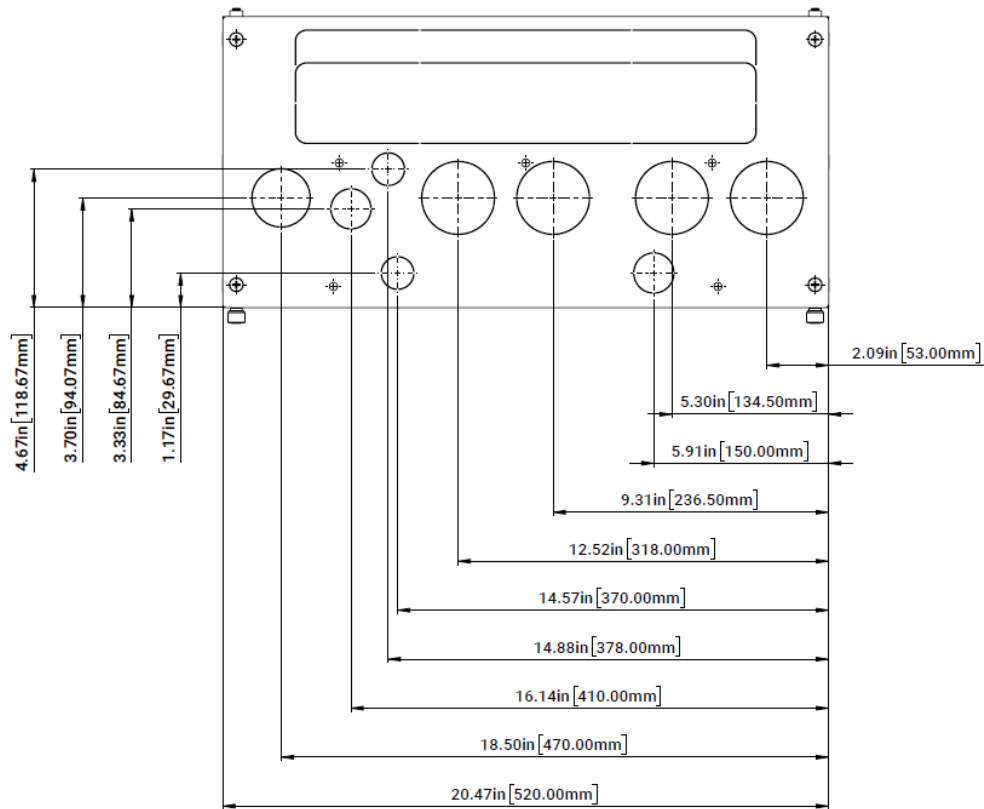
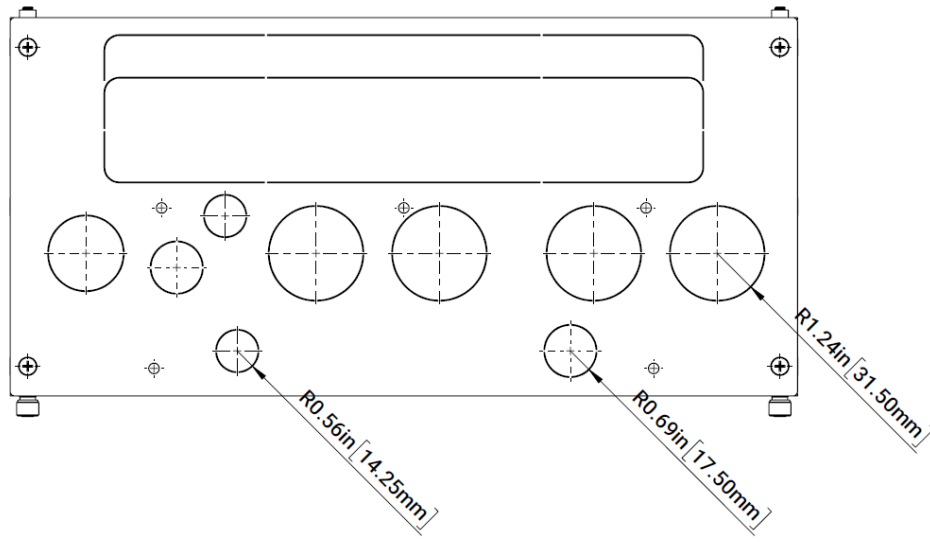
Right Plate



Left Plate

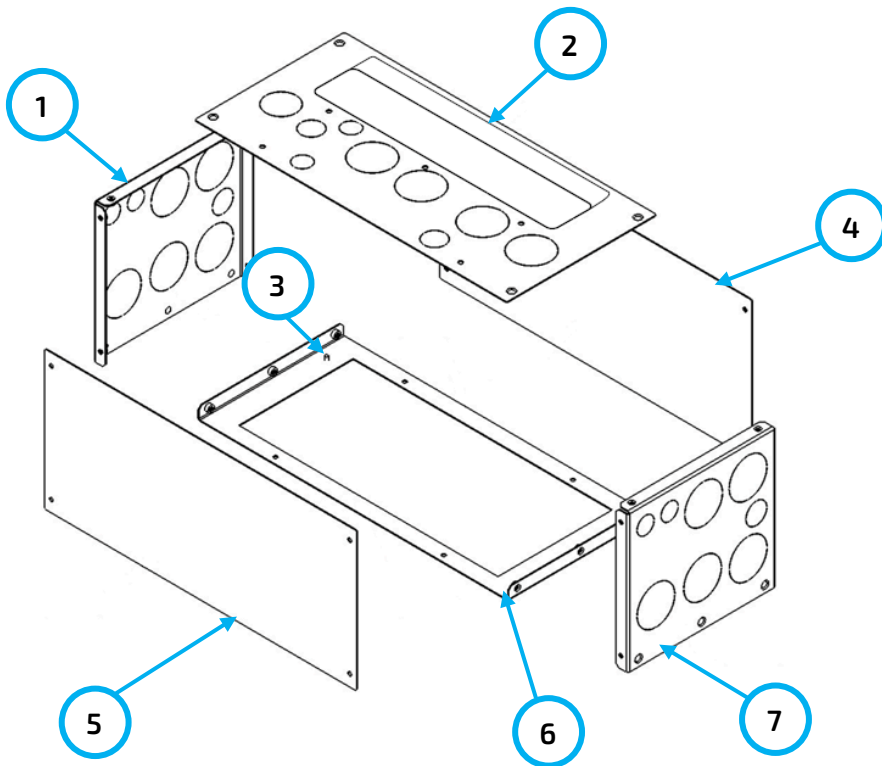


Top Plate



6. CONDUIT BOX ASSEMBLY

The Indoor Buildable Conduit Box is a highly recommended accessory to enclose all battery cables for added protection and safety. The conduit box holds the wiring that runs between the inverter and the battery.



No.	Item
1	Left Side Plate
2	Top Plate
3	Ground Screw and Wire
4	Back Plate
5	Front Plate
6	Bottom Plate
7	Right Side Plate

1. Starting with the bottom plate (labeled 6 in the image), ensure the ground screw and wire are securely fastened. Align the left-side plate (labeled 2) with the holes on the bottom plate. Attach the left-side plate using three of the included M6 x 1.0 Phillips flat head screws.
2. Locate the right-side plate (labeled 7), align with the holes in the bottom plate. Attach to the bottom plate using three of the included M6 x 1.0 Phillips flat head screws.
3. Locate the back plate (labeled 4), align and attach using four of the M6 x 1.0 Hex head screw with washer set. Install the M6 x 1.0 Hex head screw with washer set going from the inside of the box to the outside.
4. Locate the front plate (labeled 5), align and attach using the pre-installed thumbscrews.
5. Locate and use the conduit box top plate to ensure correct alignment of knockouts. Align with the holes on top of the left and right-side plates. Attach the conduit box top plate using four M6 x 1.0 Phillips flat head screws.
6. Use the remaining four M6 x 1.0 Hex head screw with washer set to mount the conduit box to the battery.



NOTE:

When pairing the conduit box with a 6000XP inverter there will be ~3/16" gap on each side of the inverter.



CONTACT US

support@eg4electronics.com

(903) 609-1988

www.eg4electronics.com